



# Q7 BACKREST BRACKET INSTALLATION



Please read these instructions carefully before beginning the installation. Failure to understand and follow installation instructions may result in injury to installer and/or end user and may void the warranty.  
If you have any questions call Sunrise Medical Technical support at 800.333.4000

## Parts included with Standard Back Kit:

1. 2x Backrest bracket
2. 2x Adjustment insert
3. 4x Pivot bushing
4. 2x Belleville washer
5. 2x Pivot bolt
6. 4x Flat washers
7. 8x Hex nut
- 8a. 4x M6x40 BHCS- Standard back
- 8b. 6x M6x45 BHCS-Std Back/push handle

## Parts included with Inset Back Kit:

1. 2x Backrest bracket
2. 2x Adjustment insert
3. 4x Pivot bushing
4. 2x Belleville washer
5. 2x Pivot bolt
6. 4x Flat washers
7. 8x Hex nut
- 8b. 2x M6x45 BHCS-Std Back/push handle
- 8c. 4x M6x50 BHCS-Inset Back
- 8d. 4x M6x55 BHCS-Inset Back/push handle

## 2. Tools needed for installation:

- a. 4mm and 5mm Hex wrench
- b. 10mm wrench
- c. Torque wrench

## A. BACKREST BRACKET INSTALLATION

**NOTE** - It is suggested that the Backrest Brackets be installed one side at a time.

### Replacing the Backrest Brackets **I**

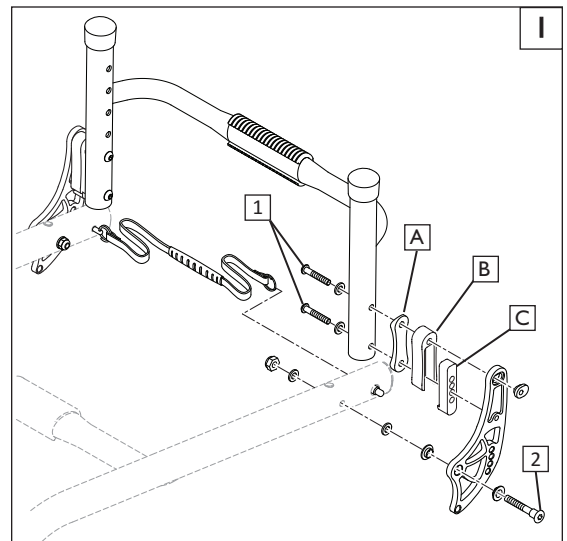
#### 1. Remove the old Brackets:

- a. Using a 4mm hex wrench, remove the button head bolts(1) from the backrest cane.

**NOTE**– 2 bolts per side for folding backs and 3 bolts per side for non-folding backs.

- b. Using the 5mm hex wrench and 10mm wrench, remove the pivot bolt(2) and associated hardware connecting the bracket to the frame
- c. After carefully removing the hardware, keep all assembly pieces in a secure place, as some of these parts will be used in the installation of the new set of brackets.

**NOTE**– Backrest Spacers (A,B,and C) are not included in this replacement kit and must be re-used from the original assembly. Items B and C are used on inset backs only.



#### 2. Installation of the new Backrest Brackets **2 3 4 5**

- a. Install the new Bracket (1) paying close attention to the order and location of hardware in (fig. 2-5). Review “parts included” list above to determine which mounting bolts to use on your assembly (8A-8D).
- b. Insert mounting hardware (8A-8D) through all required assembly components and hand tighten the Nylock nuts. (7).
- c. Using both the 10mm wrench and the 4mm Hex wrench, tighten Nylock nuts on new bolts to 62 in-lb. Do not overtighten.

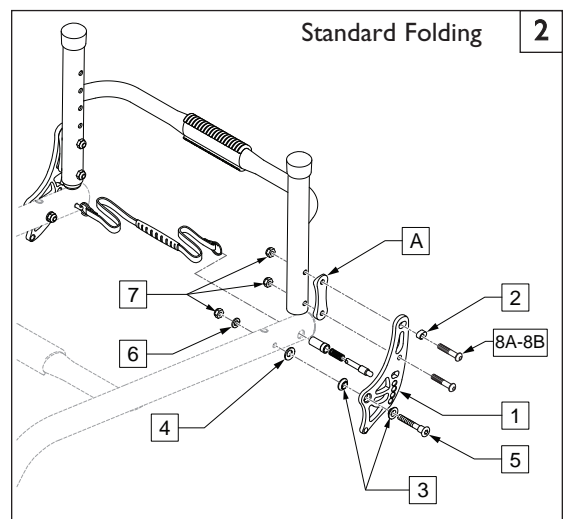


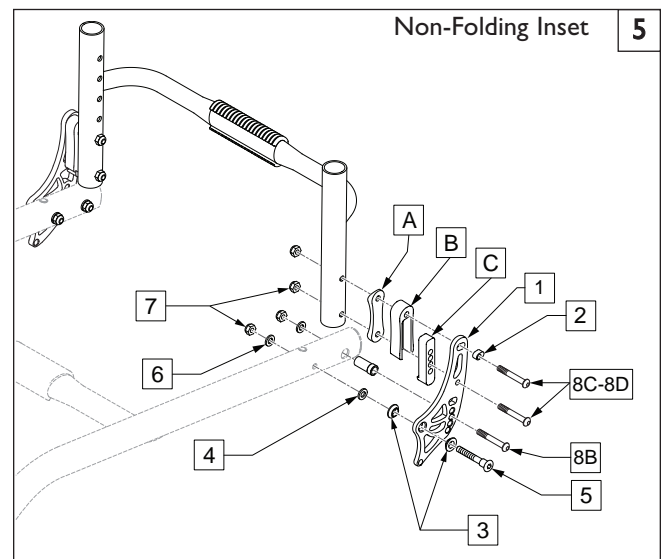
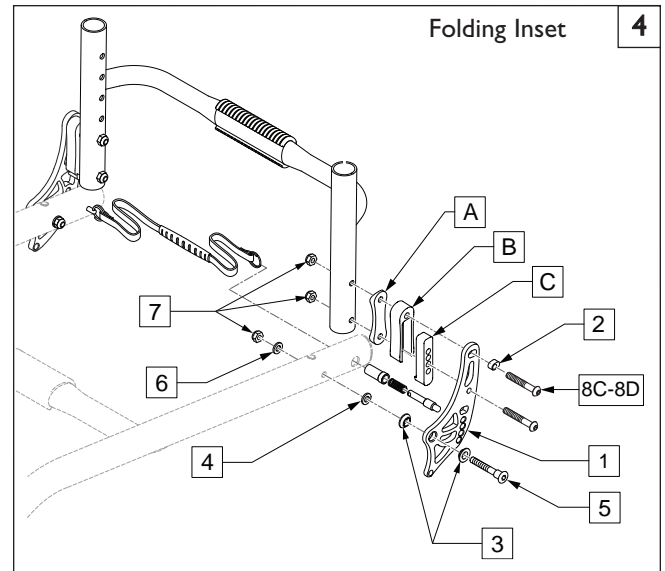
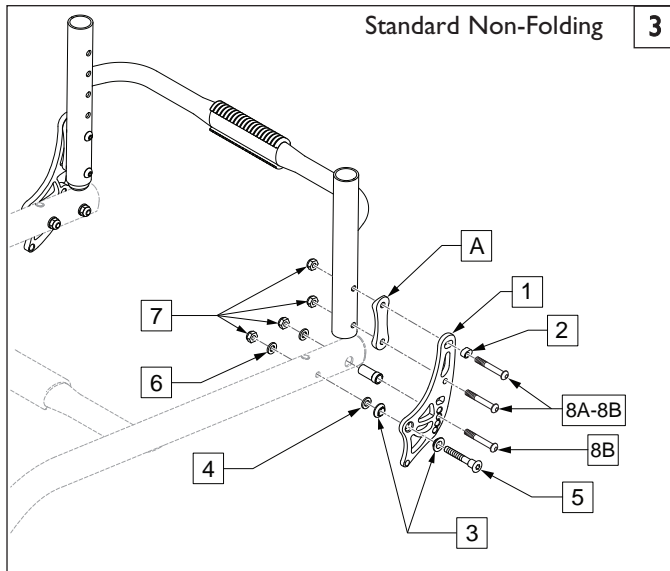
**NOTE** - When properly torqued, the mounting bolts (8A-8D) should extend 1-3 threads past the nylock nut (7).

- d. To re-attach the Pivot bolt, nut and washer, use both the 10mm wrench and 5mm hex wrench to bring the top of the Nut even with the end of the bolt.

**NOTE** - Do not over-tighten the backrest Plate Pivot bolt as it may hinder the backrest from folding properly.

- e. Checking the installation, the Backrest bracket should be perpendicular to the rolling surface.
- f. Repeat the above process for the other side of the chair.





**B. CHECKOUT**

- I. **Double-check Orientation and Torque on all Hardware.**
  - a. Check that the backrest hardware, and backrest bracket have been fully installed and adjusted to original specifications for the user.
  - b. Use a torque wrench and socket wrench to check all hardware for correct torque and tightness.

**C. DEALER/TECHNICIAN WARNING**



Attention dealers and qualified technicians, do not operate or service this device without first reading the owners manual. If you do not understand the instructions and warnings in the owners manual please contact the Sunrise Medical Technical Service Department before operating and/or servicing the Quickie device. Failure to do so may result in damage and/or injury.

Sunrise Medical • 2842 Business Park Ave. • Fresno, CA 93727 • USA  
In Canada (800) 263-3390