



QM7 PERFORMANCE SPRING INSTALLATION INSTRUCTIONS



Please read these instructions carefully before beginning the installation. Failure to understand and follow installation instructions may result in injury to installer and/or end user and may void the warranty. If you have any questions call Sunrise Medical Technical support at 800-333-4000.

NOTE- Some parts are not shown in the drawings for clarity.

A. PRE-INSTALLATION **1 2 3**

1. Remove spring:



- Remove drive wheels (A). Set wheels and lug nuts (B) aside, Fig 1.
- Remove Nylock nut (D) from suspension spring (E) first, then remove M8 bolts (C), Fig 2. Discard hardware.
- Slide spring (E) down and out of spring mount, Fig 3. Discard spring.

B. INSTALLING NEW PERFORMANCE SPRING **2 4 5**


Note- If you are adding springs to a chair that does not already have them be sure to install springs on both sides.

Note- Red spring is a standard spring. Black spring is a light spring. Ensure that your springs match.

1. Assembly of suspension spring:

- Insert the new spring up into spring mount.
- Note-** Ensure that the serrated nut end is up, Fig 4.
- Install new bolts (C) into spring, then install nut (D) tighten bolts to 10 ft-lbs (13Nm), Fig 2. 
- Screw down the serrated nut until there is no play in the spring, Fig 4.
- If installing springs on a chair that did not already have springs: Screw down the serrated nut on the suspension shock (F) until approximately 5/8" of thread is showing (1-1/8" from the top), Fig 5. Repeat on opposite side.
- Replace drive wheels, torque lug nuts to 25 ft-lbs (33Nm). 

C. INSPECT

- Performance spring is oriented in the correct direction.
- Suspension shock has been adjusted (if needed).
- All hardware has the correct torque. 

DEALER/TECHNICIAN WARNING



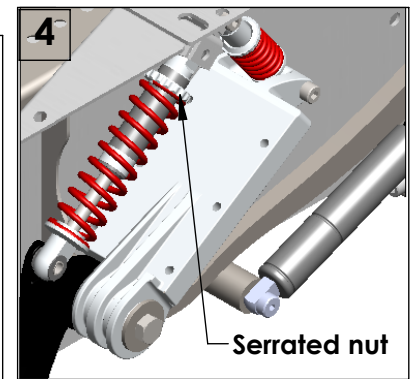
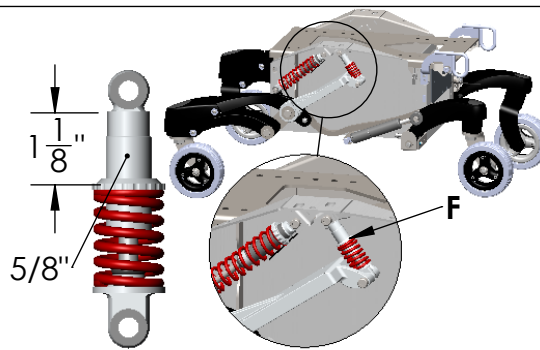
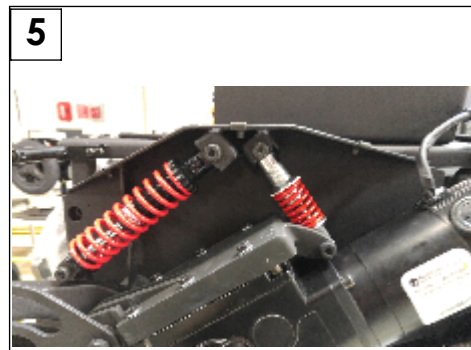
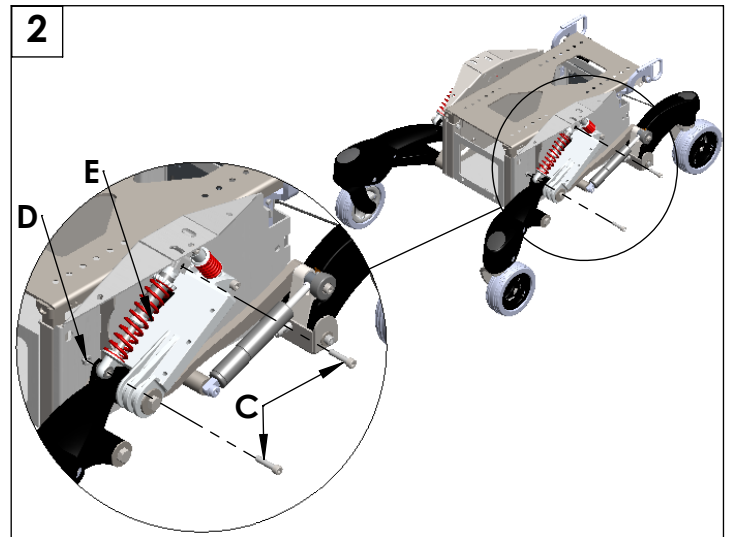
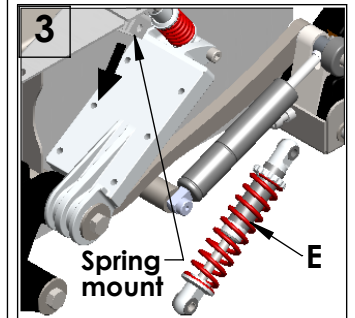
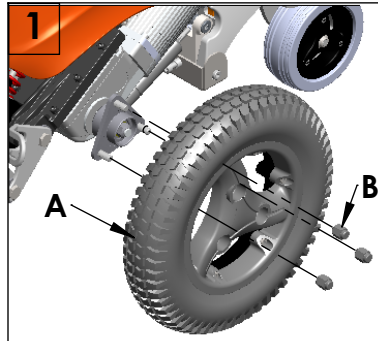
Attention dealers and qualified technicians, do not operate or service this device without first reading the owners manual. If you do not understand the instructions and warnings in the owners manual please contact the Quickie Technical Service Department before operating and/or servicing the Quickie device. Failure to do so may result in damage and/or injury.

Performance spring parts:

- 2 ea Front shock
- 4 ea M8 x 1.25 x 35 bolts
- 2 ea Nylock nut

Tools needed for assembly:

- 6mm hex key
- Torque wrench
- 13mm socket/open wrench
- 5/8" socket wrench



Sunrise Medical 2842 Business Park Ave Fresno, CA 93727 USA
In Canada (800) 263-3390



Customer service: 800.333.4000
or visit www.SunriseMedical.com

©2016 Sunrise Medical (US) LLC
9/16 244304 Rev. A