

INSTRUCTION SHEET

Single Post Height Adjustable Armrest Mounting

(Please read and understand instructions before beginning installation)

Parts Required:

- (1) SPHA Receiver 1" OD
- (1) Rear Side Frame Top Tube
- (2) Clamp, Receiver 1" OD
- (2) SHCS 1/4 -28 x 1 ROHS
- (2) Washer, Flat Thin AN 1/4 ROHS
- (2) Nut Nylock Thin 1/4 -28 ROHS

Fig. 1

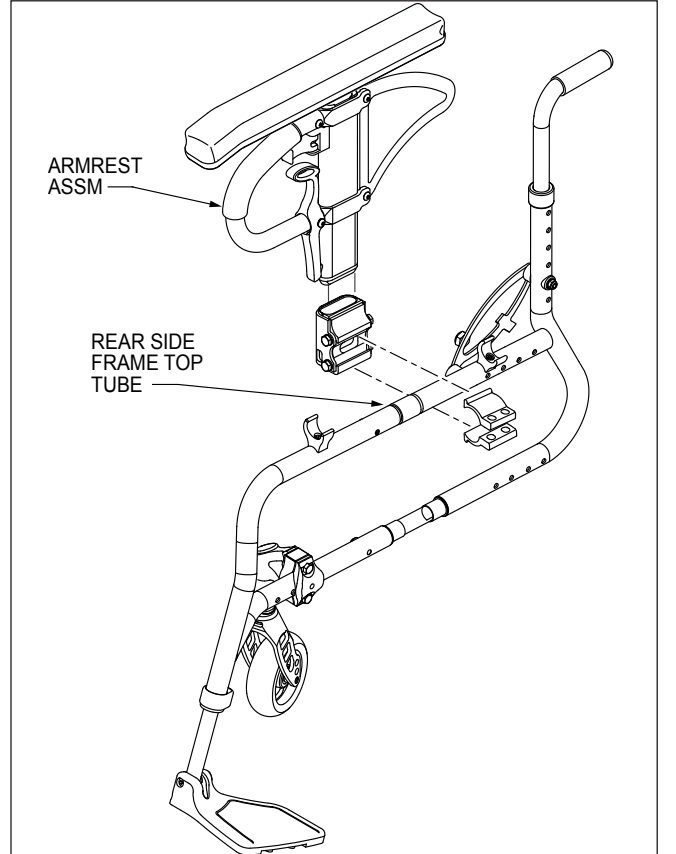
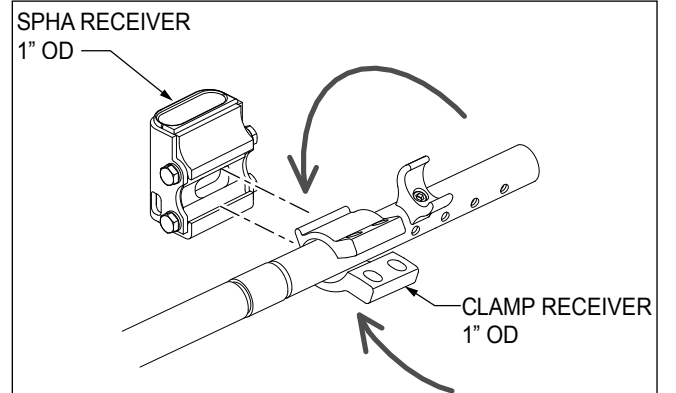
- 1) Place (2) CLAMP, RECEIVERS over REAR SIDE FRAME TOP TUBE. Align with SPHA RECEIVER.

Fig. 2

- 2) Pinch both CLAMP, RECEIVERS together at SPHA RECEIVER side and insert into SPHA RECEIVER.

Fig. 3

- 3) Once inserted, pinch both CLAMP, RECEIVERS together on the far side of the SPHA RECEIVER.
- 4) Hold both CLAMP, RECEIVERS against REAR SIDE FRAME TOP TUBE and fasten with (2) SHCS 1/4 -28 x 1 ROHS, (2) WASHER FLAT THIN AN 1/4 ROHS, and (2) NUT NYLOCK THIN 1/4 -28 ROHS as shown.

Fig. 1

Fig. 2

Fig. 3
