



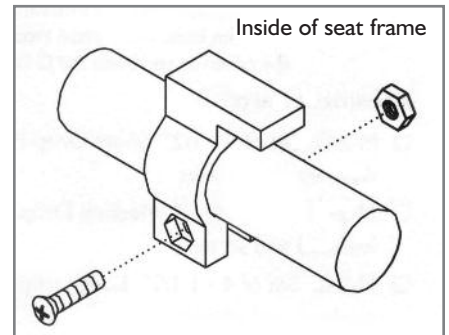
J2 DEEP CONTOUR CUSHION WITH SOLID DROP SEAT HOOK INSTRUCTIONS

The JAY® J2 Deep Contour Cushion with Solid Drop Seat is a one-piece design that incorporates the superior pressure distribution of the JAY J2 Deep Contour Cushion and the strength and added stability of a Solid Drop Seat with one of three seat-to-floor height options.

INSTALLATION OF THE SOLID DROP SEAT HOOK RETAINERS

1. Remove the seat upholstery from the wheelchair seat rails.
2. Install one Hook Retainer (part #282) toward the rear of each seat rail. The bolt holes used to secure the Hook Retainers should be below the seat rail. The extension on the top of the Hook Retainers should extend forward.
3. Place a nut into the hexagonal depression on the Hook Retainers, toward the inside of the wheelchair seat frame.
4. From the outside of the wheelchair seat frame, using the appropriate length bolt for the installation, insert the bolt through the holes in the Hook Retainers into the nut and tighten with a Phillips screwdriver.

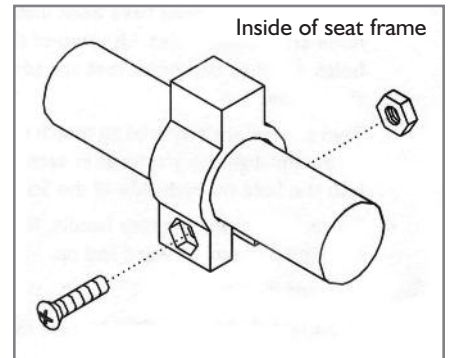
NOTE: The Solid Drop Seat Hooks supporting the rear of the Solid Drop Seat should slide under the extension on the top of the Hook Retainers.



INSTALLATION OF THE SOLID DROP SEAT STOPPER

1. Install the Hook Stopper (part #283) toward the front of one seat rail. The bolt holes used to secure the Hook Stopper should be below the seat rail.
2. Place a nut into the hexagonal depression on the Hook Stopper toward the inside of the wheelchair seat frame.
3. From the outside of the wheelchair seat frame, using the appropriate length bolt for the installation, insert the bolt through the holes in the Hook Stopper into the nut and tighten with a Phillips screwdriver.

NOTE: One of the Solid Drop Seat Hooks supporting the front of the Solid Drop Seat should rest behind the Hook Stopper. There should be a 1/4" space between a front Solid Drop Seat Hook and the Hook Stopper.

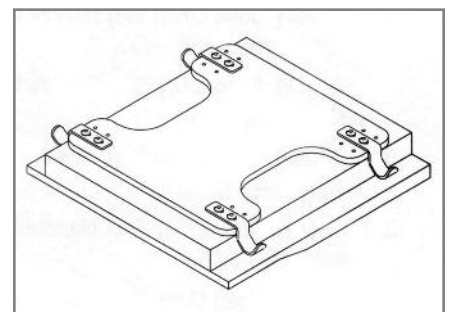


Replacement Parts:

- 282Set of Three: 1 Hook Stopper and 2 Hook Retainers
- 283Hook Stopper (front)
- 284Hook Retainer (rear)

INSTALLATION OF THE SOLID DROP SEAT HOOKS

1. The Solid Drop Seat is permanently attached to the bottom of the JAY J2 Deep Contour Cushion. Turn the JAY J2 Deep Contour Cushion over, exposing the underside and the Solid Drop Seat.
2. There are five sets of holes on each side of the Solid Drop Seat that represent possible hook locations, three sets of holes on each side of the front and two sets of holes on each side of the rear. Two holes are required to attach each hook to the Solid Drop Seat. Choose the set of holes closest to each corner that is most appropriate for attaching the Solid Drop Seat to the wheelchair seat rails.

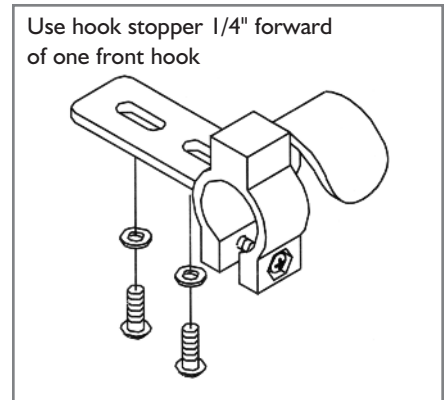
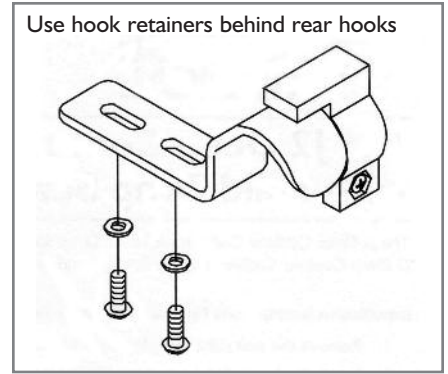


3. Two screws and two washers are required to attach each hook to the Solid Drop Seat. Place a washer on the screw and insert the screw through the elongated hole in the hook. Screw it into the matching hole in the Solid Drop Seat. Attach one hook to each corner of the Solid Drop Seat. Leave the hooks slightly loose so they slide to adjust to the wheelchair width. Each hook has approximately 1/2" of width adjustment.
4. Place the Solid Drop Seat onto the wheelchair's seat rails and center it between the frame.
5. Carefully remove the Solid Drop Seat and tighten all hook locations.
6. To install, set the rear hooks on the seat rails and slide the cushion back while lowering the front.
7. The rear hooks should slide under the Hook Retainers and one of the front hooks should rest behind the Hook Stopper.
8. To remove, lift the front of the JAY J2 Deep Contour Cushion and pull forward and up.

NOTE: For easy assembly and installation, remove the cover and the fluid pad from the foam base. After initial installation is complete, replace the fluid pad and the cover to complete the JAY J2 Deep Contour Cushion with Solid Drop Seat.

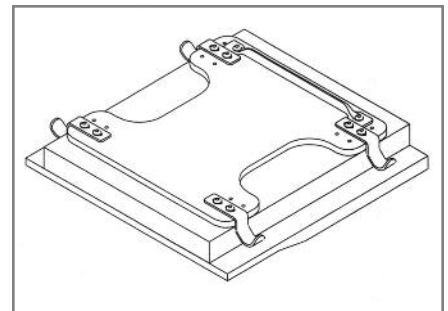
Replacement Parts:

- M-24S.....Set of 1 - 1/2" Short Drop Hooks, washers and screws
- M-24M.....Set of 4 - 1" Medium Drop Hooks, washers and screws
- M-24L.....Set of 4 - 1 1/2" Long Drop Hooks, washers and screws



INSTALLATION OF THE SOLID DROP SEAT HANDLE

1. Turn the JAY J2 Deep Contour Cushion over exposing the underside of the Solid Drop Seat.
2. Once the front hooks have been installed, there should be four remaining hook attachment holes. Use two of the four remaining hook attachment holes. Choose two holes that are adjacent to each other to attach the handle.
3. Two screws are required to attach the Solid Drop Seat Handle. Insert one screw through the grommet in each end of the handle strap fastening it into the hole on each side of the Solid Drop Seat. Tighten each screw.
4. To remove cushion, grasp handle, lift the front of the JAY J2 Deep Contour Cushion and pull forward and up.



Replacement Parts:

- M-2404H....Solid Drop Seat Handle for 14" wide JAY J2 DC Cushion/Solid Drop Seat
- M-2405H....Solid Drop Seat Handle for 15" wide JAY J2 DC Cushion/Solid Drop Seat
- M-2406H....Solid Drop Seat Handle for 16" wide JAY J2 DC Cushion/Solid Drop Seat
- M-2407H....Solid Drop Seat Handle for 17" wide JAY J2 DC Cushion/Solid Drop Seat
- M-2408H....Solid Drop Seat Handle for 18" wide JAY J2 DC Cushion/Solid Drop Seat
- M-2409H....Solid Drop Seat Handle for 20" wide JAY J2 DC Cushion/Solid Drop Seat
- M-2410H....Solid Drop Seat Handle for 22" wide JAY J2 DC Cushion/Solid Drop Seat
- M-2411H....Solid Drop Seat Handle for 24" wide JAY J2 DC Cushion/Solid Drop Seat

Sunrise Medical • 2842 Business Park Ave. • Fresno, CA 93727 • USA
In Canada (800) 263-3390