

INSTRUCTION SHEET

ANTI FLUTTER KIT INSTALLATION



- Please read and understand these instructions before beginning the installation.

Tools Required:
 3mm hex key
 torque wrench

Parts Required:

Sunrise Part Number 120957

1. Remove fork assembly from chair. This may or may not require the removal of the caster wheel.
2. Fig 2. Insert Anti Flutter Bushing (A) into the Slot (B) at the rear of the fork ensuring the tab goes between the ends of the snap ring and between the bearings.
3. Install clamp(C) over the top of the fork assembly inserting the Inside Tab(D) in the front Slot (E).

4. Fig 3. Gently flex the Clamp Tabs (F) apart to allow it to slide over the recently installed bushing (A).
5. Fig 4. Squeeze the tabs (F) back together and install the Socket Head Cap Screw (G) into the clamp, insure threads are properly aligned and lightly tighten using a 3mm hex key.

Fig. 1

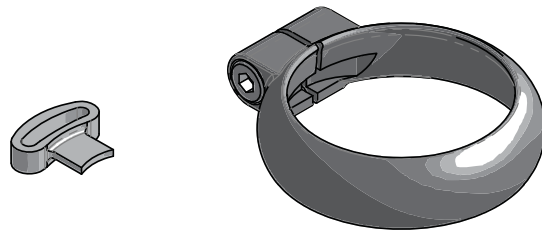


Fig. 2

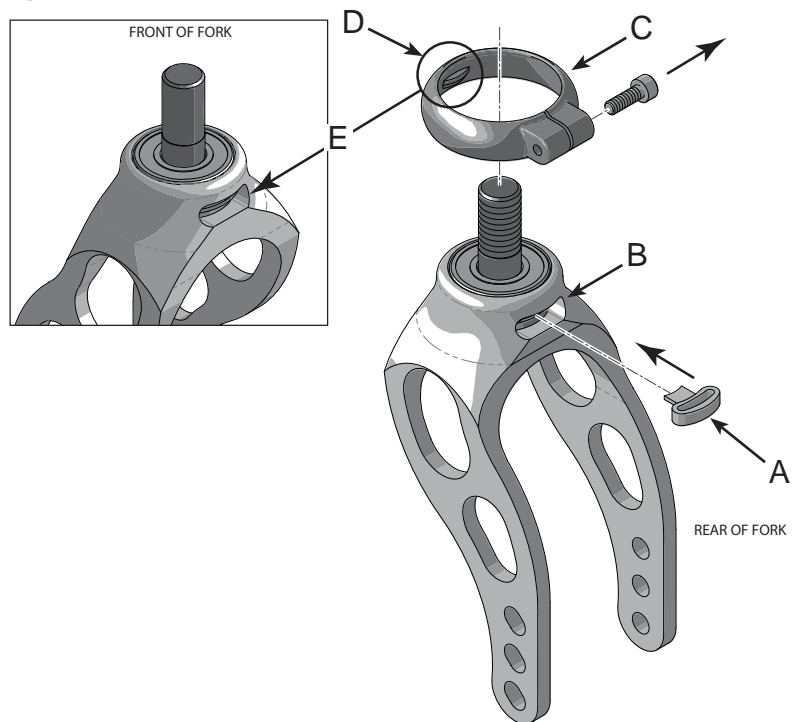


Fig. 3

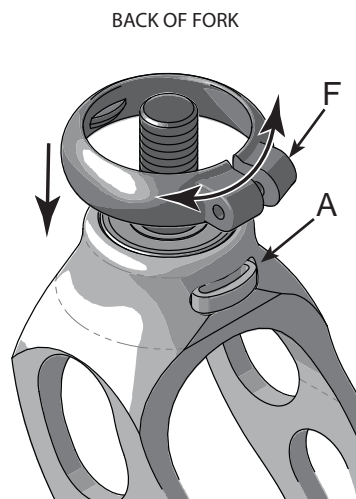


Fig. 4

