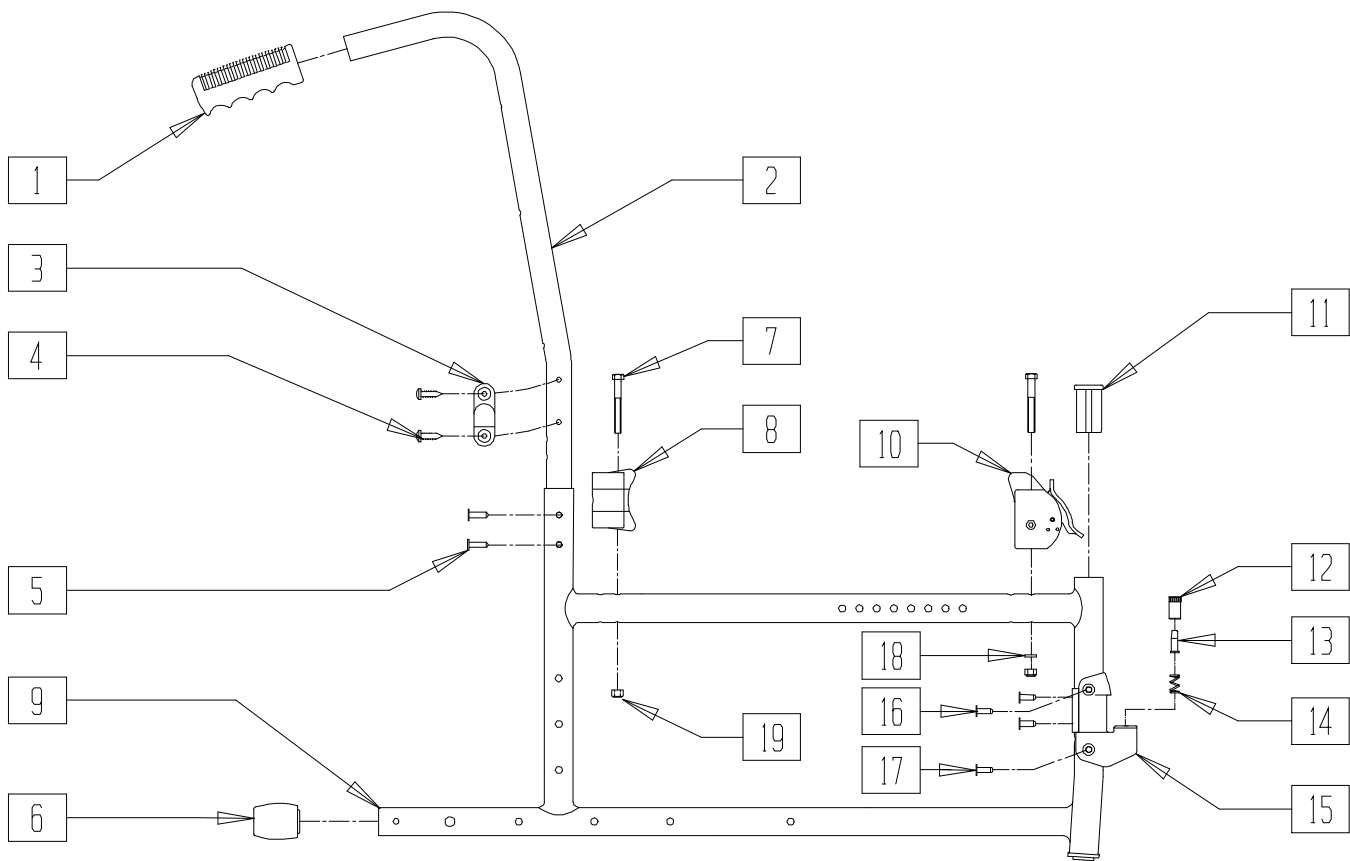


GUARDIAN ESCORT

IN THIS SECTION

Standard Sideframe Assembly.....	1.1	Standard Caster Assembly (8").....	1.11
Sideframe Assembly w/Folding Backrest	1.2	Swing-away Hanger Assembly	1.12
Crossbrace Assembly ("T" and "L")	1.3	Footplate and Extension Tube Assembly	1.12
Anti-fold Assembly	1.4	Elevating Legrest Assembly(ELR)	
Anti-tip Wheels.....	1.4	(16",18"-20").....	1.13
Armrest Assembly (Standard and Full).....	1.5	Seat Sling	1.14
Armrest Assembly (Desk)	1.6	Poly Wheel Assembly (12")	1.15
Transport Axle Bracket (12").....	1.7	Mag Wheel Assembly 6 Spoke (24")	1.15
Axle Plate, Amputee (24").....	1.7	Wheel Lock Assembly (12").....	1.16
Offset Axle Plate (24").....	1.8	Wheel Lock Assembly (24").....	1.16
Backrest Upholstery.....	1.9	Transport Conversion Kit (12")	1.17
Half-folding Backrest Upholstery	1.9	Oxygen Bottle Holder.....	1.17
Caster Fork Assembly.....	1.10		

STANDARD SIDEFAME ASSEMBLY (GUARDIAN ESCORT)

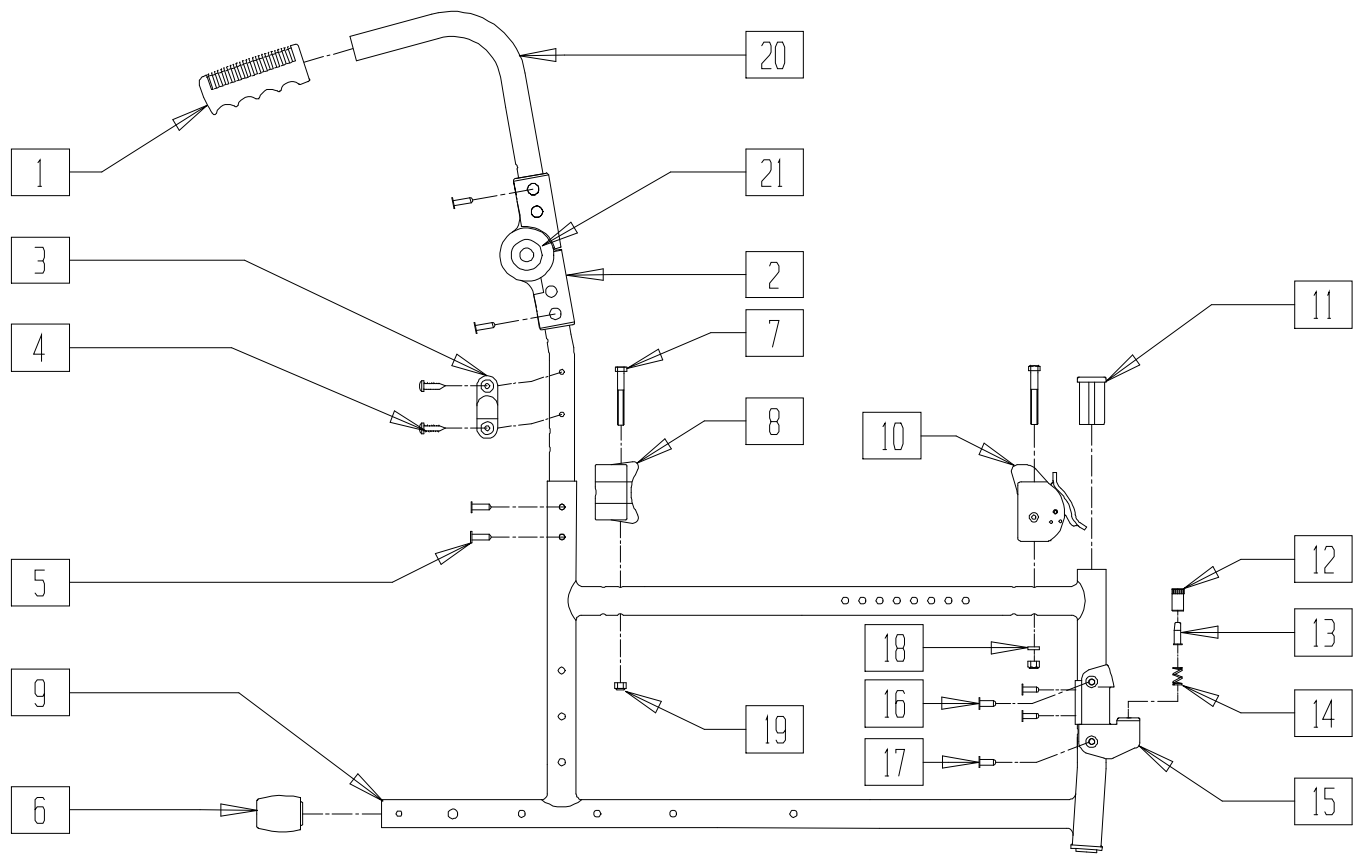


BZY20X03

ITEM	NUMBER	DESCRIPTION	QTY
1		PUSH GRIP	1
2		TUBE, BACKREST	1
3		ARMREST SUPPORT	1
4		SCREW, SELF TAPPING 4.8mm DIA x 19mm	2
5		RIVET POP 4.8mm DIA x 11mm	6
6	560032	STEP TUBE CAP GE	1
7		BOLT M5x 45	2
8		REAR SUPPORT/RECEIVER	1
9		SIDE FRAME	1
10		ARMREST RECEIVER (EA)	1
11	561205	PIVOT SADDLE RECEIVER GE	1
12		LOWER BUSHING	1
13		DETENT PIN	1

ITEM	NUMBER	DESCRIPTION	QTY
14		DETENT PIN SPRING	1
15		FOOTREST SUPPORT ASSEMBLY	1
16		RIVET POP 4.8mm DIA x 14mm	2
17		RIVET POP 4.8mm DIA x 11mm	2
18		WASHER 5mm DIA	1
19		NUT HEX M5	2
3,4	882963	ARMREST SUPPORT ASSM GE	
7,8,19	882980, 882981	REAR SUPPORT/RECEIVER ASSM GE (EA)	
7,10,18, 19	882982, 882983	FRNT SADDLE/RECEIVER ASSM GE (EA)	
12-14	881634	FOOTREST LATCH PIN ASSM GE	
1,2,5,6, 9,11-17	620266, 620267	SIDE FRAME ASSM GE (EA)	

SIDEFAME ASSEMBLY WITH FOLDING BACKREST (GUARDIAN ESCORT)

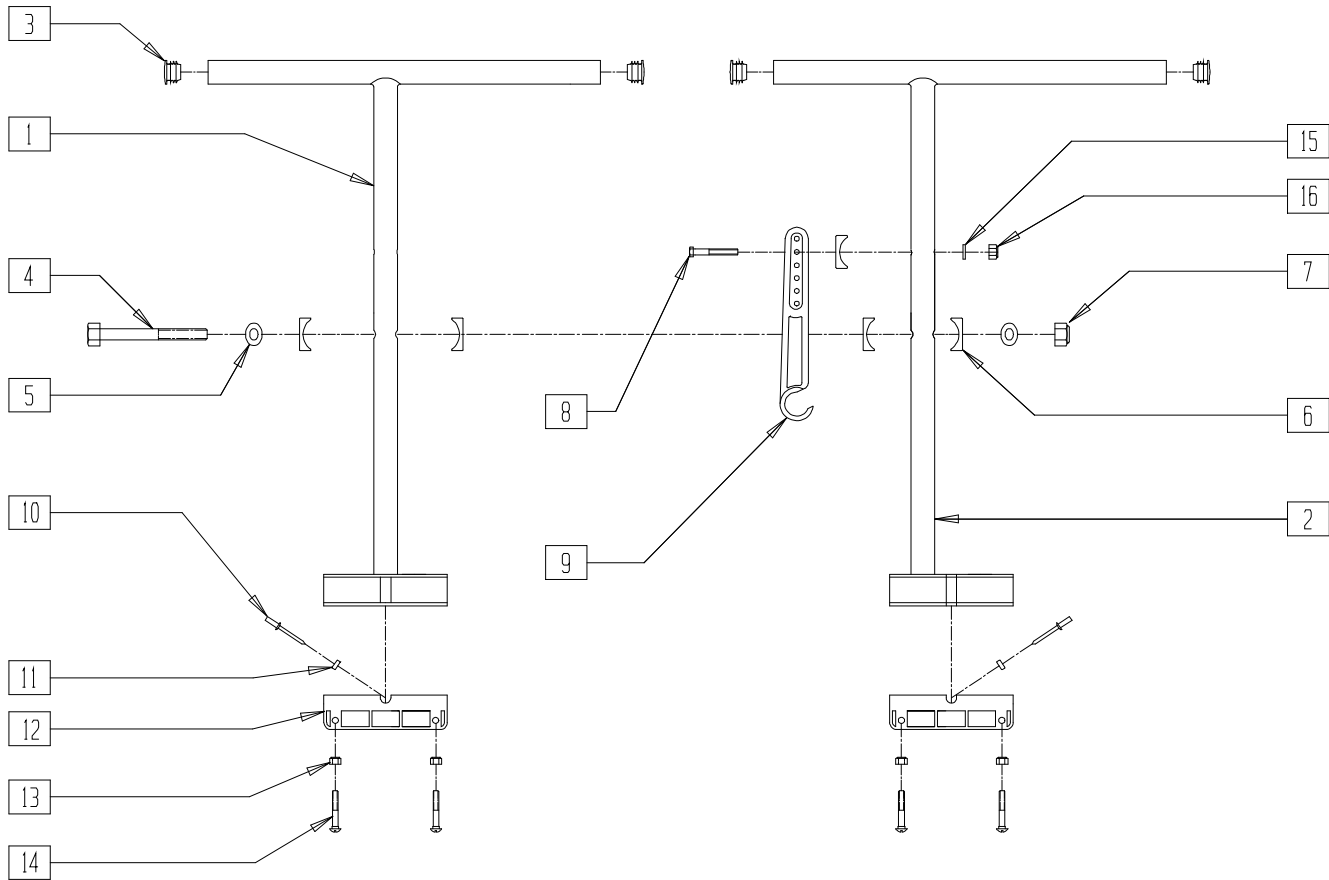


BZY20X02

ITEM	NUMBER	DESCRIPTION	QTY
1		PUSH GRIP	1
2		MULTI-POSITION HINGE, FLD BKRST	1
3		ARMREST SUPPORT	1
4		SCREW, SELF TAPPING 4.8mm DIA x 19mm	2
5		RIVET POP 4.8mm DIA x 11mm	6
6	560032	STEP TUBE CAP GE	1
7		BOLT M5 x 45	2
8		REAR SUPPORT/ RECEIVER	1
9		SIDE FRAME	1
10		ARMREST ASSEMBLY (EA)	1
11	561205	PIVOT SADDLE RECEIVER GE	1
12		LOWER BUSHING	1
13		DETENT PIN	1
14		DETENT PIN SPRING	1

ITEM	NUMBER	DESCRIPTION	QTY
15		FOOTREST SUPPORT ASSEMBLY	1
16		RIVET POP 4.8mm DIA x 14mm	2
17		RIVET POP 4.8mm DIA x 11mm	2
18		WASHER 5mm DIA	1
19		NUT HEX M5	2
20		HANDLE, FOLDING BKRST	1
21	349629	RELEASE BUTTON BLACK GE	1
3,4	882963	ARMREST SUPPORT ASSM GE	
7,8,19	882980, 882981	REAR SUPPORT/RCVR ASSM GE (EA)	
7,10,18, 19	882982, 882983	FRONT SADDLE/RCVR ASSM GE (EA)	
12-14	881634	FOOTREST LATCH PIN ASSM GE	
1,2,5,6,9, 11-17,20,21	620268, 620269	SIDE FRM ASSM FOLDING BCK GE (EA)	

CROSSBRACE ASSEMBLY "T" AND "L" (GUARDIAN ESCORT)

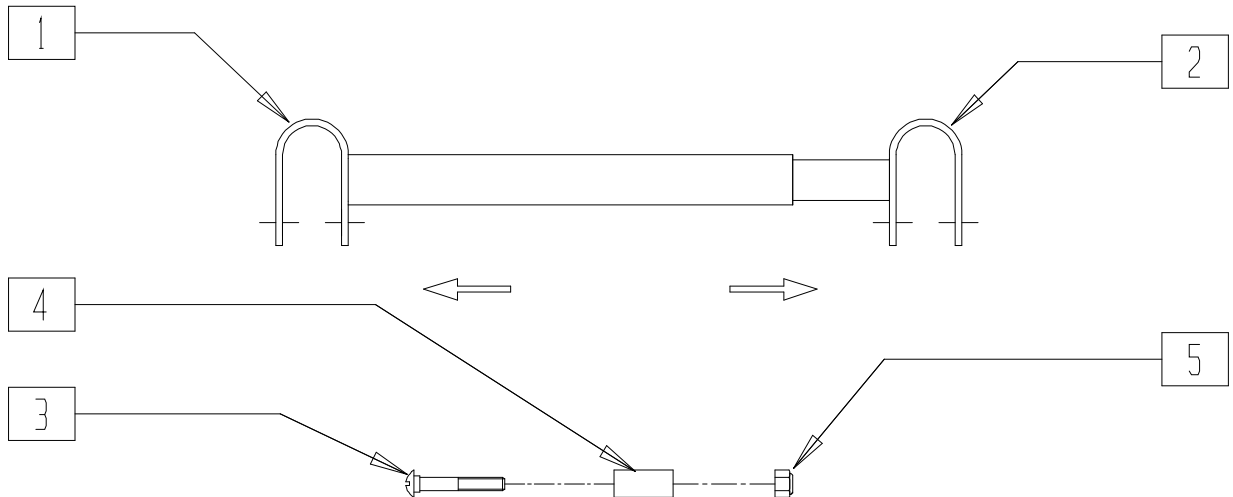


BZY20X05

ITEM	NUMBER	DESCRIPTION	QTY
1		CROSS BRACE ASSEMBLY "T"	1
2		CROSS BRACE ASSEMBLY "L"	1
3		CAP 25mm DIA	4
4		BOLT HEX M8 x 75	1
5		WASHER 8mm DIA	2
6		SADDLE WASHER 25mm	5
7		NUT HEX M8	1
8		BOLT M5 x 45	2
9		X-BRACE HINGE	2
10		RIVET POP 4.8mm DIA x 14mm	2
11		CROSSBRACE ROTATIONAL STOP	2
12		INTERNAL MOUNTING BRACE	2
13		NUT HEX M6	4

ITEM	NUMBER	DESCRIPTION	QTY
14		BOLT M6 x 40	4
15		WASHER 5mm DIA	2
16		NUT M6	2
4-7	881895	X-BRACE HARDWARE GE	
6,8,9,15,16	881896	X-BRACE HINGE ASSEMBLY GE	
1,3,10-14	887756,	X-BRACE "T" ASSM (16") GE	
	887757,	X-BRACE "T" ASSM (18") GE	
	887758	X-BRACE "T" ASSM (20") GE	
2,3,10-14	887759,	X-BRACE "L" ASSM (16") GE	
	887760,	X-BRACE "T" ASSM (18") GE	
	887761	X-BRACE "T" ASSM (20") GE	
1-16	672001,	X-BRACE ASSM (16" x 16") GE	
	672002,	X-BRACE ASSM (18" x 16") GE	
	672003	X-BRACE ASSM (20" x 16") GE	

ANTI-FOLD ASSEMBLY (GUARDIAN ESCORT)

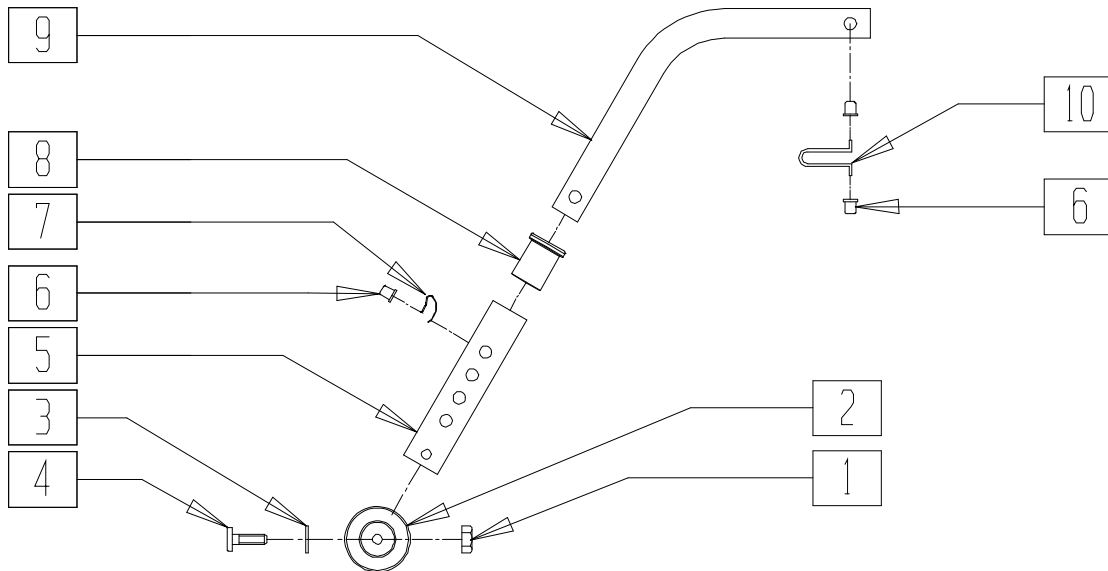


BZY20X04

ITEM	NUMBER	DESCRIPTION	QTY
1		ANTI-FOLD SUB-ASSEMBLY	1
2		ANTI-FOLD SUB-ASSEMBLY	1
3		BOLT M6 x 40	2

ITEM	NUMBER	DESCRIPTION	QTY
4		SPACER/BSHNG, ANTI-FLD SYSTEM	2
5		NUT, HEX M6	2
1-5	GE-AF	ANTI-FOLD ASSEMBLY GE	1

ANTI-TIP WHEELS (GUARDIAN ESCORT)

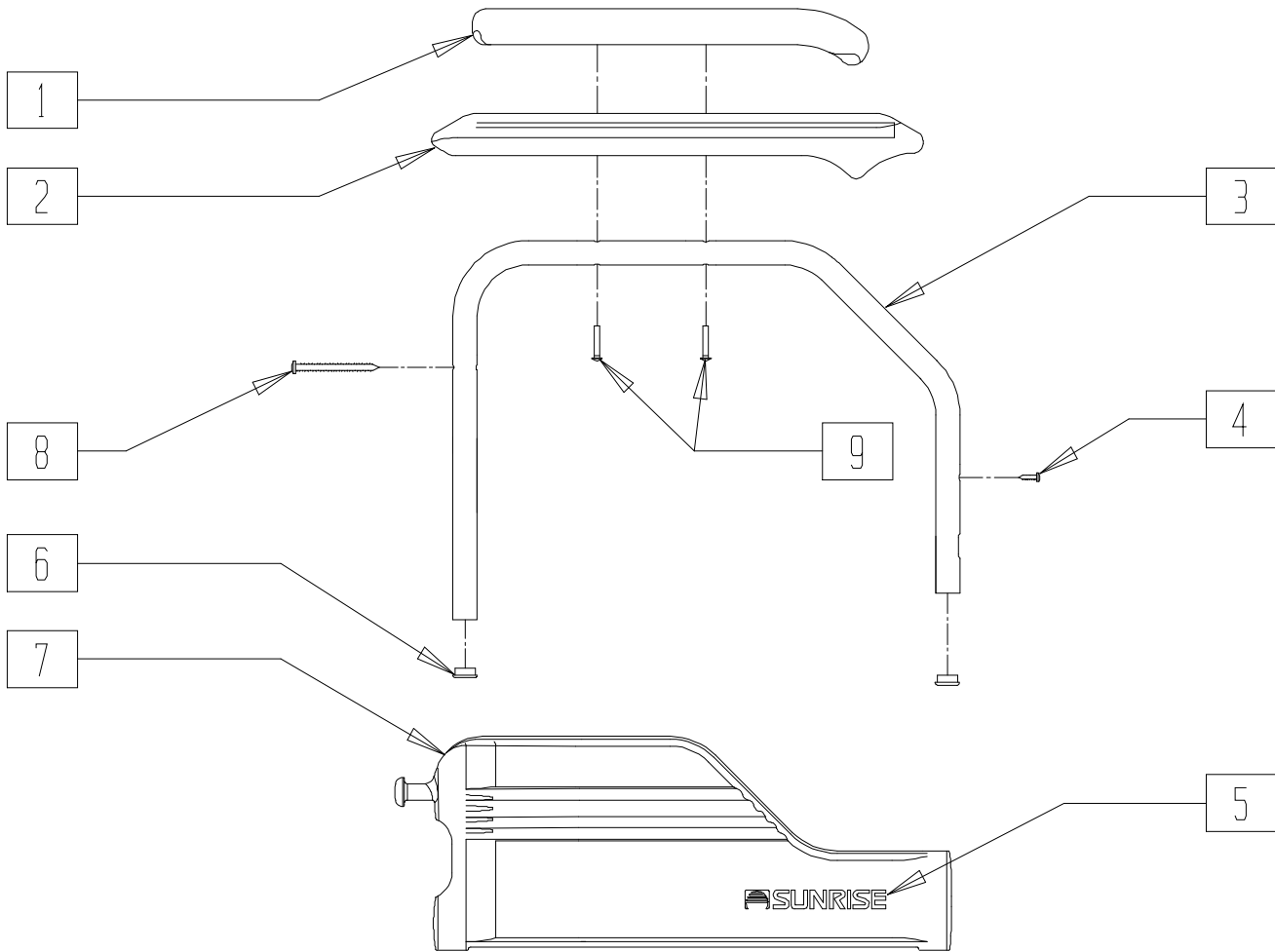


BZY20X26

ITEM	NUMBER	DESCRIPTION	QTY
1		NUT HEX M6	1
2		ANTI-TIP WHEEL	1
3		WASHER 6.4mm DIA	1
4		SCREW M6 x 75	1
5		ADJUSTABLE ANTI-TIP TUBE	1
6		PUSH BUTTON 7.5 mm DIA	3

ITEM	NUMBER	DESCRIPTION	QTY
7		PUSH BUTTON SPRING	2
8		BUSHING, OPEN CAP	1
9		ANTI-TIP TUBE	1
10			1
1-10	GE-AT	ANTI-TIP WHEEL ASSEMBLY GE	

ARMREST ASSEMBLY (STANDARD AND FULL) (GUARDIAN ESCORT)

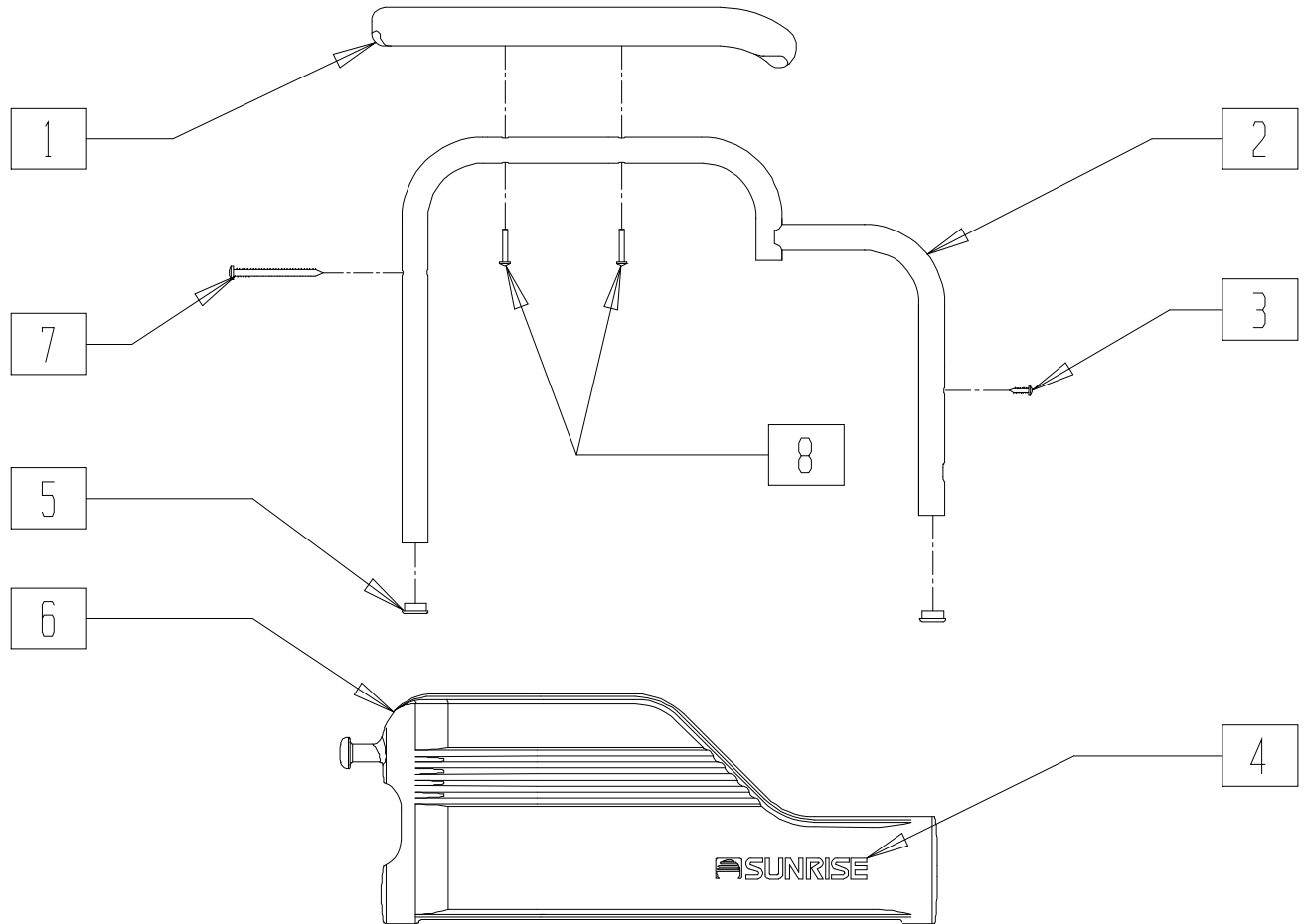


BZY20X34

ITEM	NUMBER	DESCRIPTION	QTY
1		ARMREST STANDARD SHORT (EA)	1
2		ARMREST FULL (EA)	1
3		TUBE, ARMREST BLACK	1
4		SCREW, SELF TAPPING 3.9 DIA x 19mm	1
5		DECAL, SUNRISE	1
6		CAP 19mm DIA x 1 c.c.	2
7		PANEL, ARMREST	1
8		SCREW, SELF TAPPING 4.8mm DIA x 50mm	1

ITEM	NUMBER	DESCRIPTION	QTY
9		SCREW M5 x 25mm	2
1,3-9	883084, 883085	ARMREST ASSM STANDARD GE (EA)	
2-9	883086, 883087	ARMREST ASSM FULL GE (EA)	
1,9	920992	ARMPADS STD DESK GE (PR)	
2,9	920993	ARMPADS STD FULL GE (PR)	
4,5,7,8,	561212, 561213	ARMREST SIDE PANEL GE (EA)	

ARMREST ASSEMBLY (DESK) (GUARDIAN ESCORT)

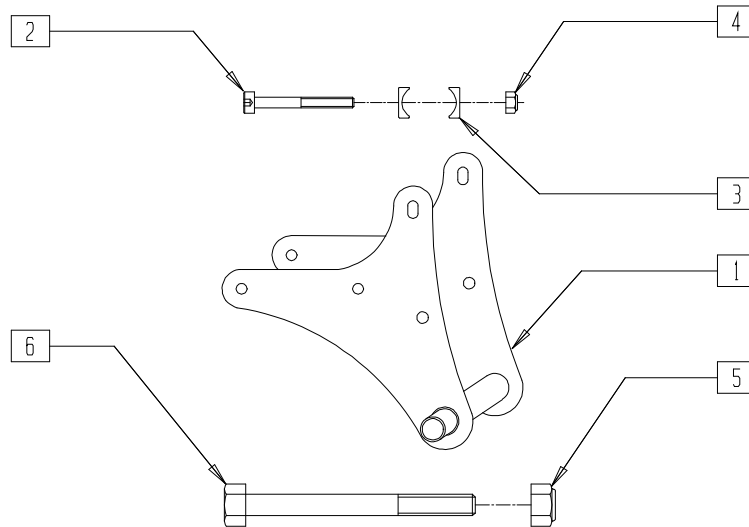


BZY20X35

ITEM	NUMBER	DESCRIPTION	QTY
1		ARMREST STANDARD, SHORT (EA)	1
2		DESK ARMREST ASSEMBLY, BLACK	1
3		SCREW, SELF TAPPING 3.9 DIA x 19mm	
4		DECAL SUNRISE	1
5		CAP 19 DIA x 1 c.c.	2
6		PANEL ARMREST	1

ITEM	NUMBER	DESCRIPTION	QTY
7		SCREW, SELF TAPPING 4.8 mm DIA x 50mm	1
8		SCREW M5 x 30	
1-8	883088, 883089	ARMREST ASSM TRDTNL DESK GE (EA)	
1,8	920992	ARMPADS STD DESK GE (PR)	
3,4,6,7	561212, 561213	ARMREST SIDE PANEL GE (EA)	

TRANSPORT AXLE BRACKET (12") (GUARDIAN ESCORT)

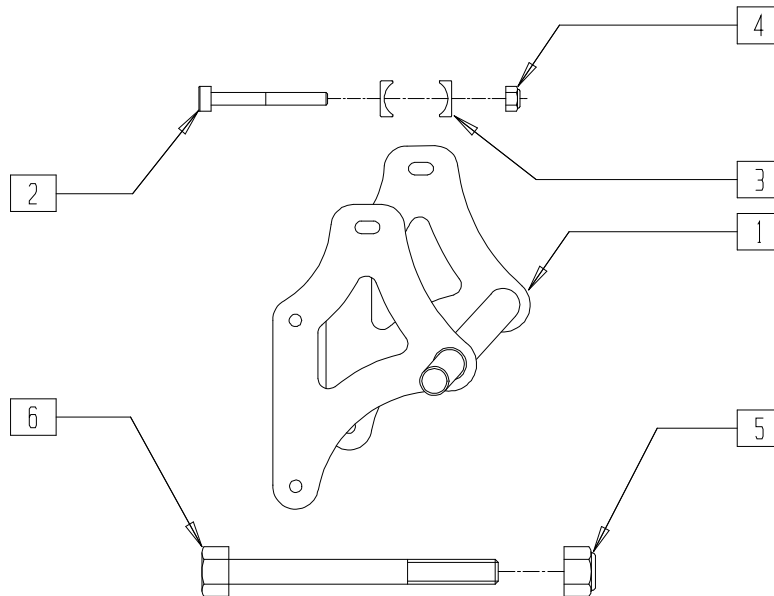


BZY20X06

ITEM	NUMBER	DESCRIPTION	QTY
1		TRANSPORT AXLE BRACKET (300mm DIA) (12")	1
2		CAP SCREW M6 x 452	3
3		SADDLE WASHER 25mm DIA	6
4		NUT HEX M6	3

ITEM	NUMBER	DESCRIPTION	QTY
5		NUT, HEX M12	1
6		BOLT, HEX M12 x 120mm	1
1-4	901206	AXL BRKT 12" TRNSPRT ASSM ET	
5,6	921297	12" REAR WHEEL AXLE HDWR ET	

AXLE PLATE, AMPUTEE (24") (GUARDIAN ESCORT)

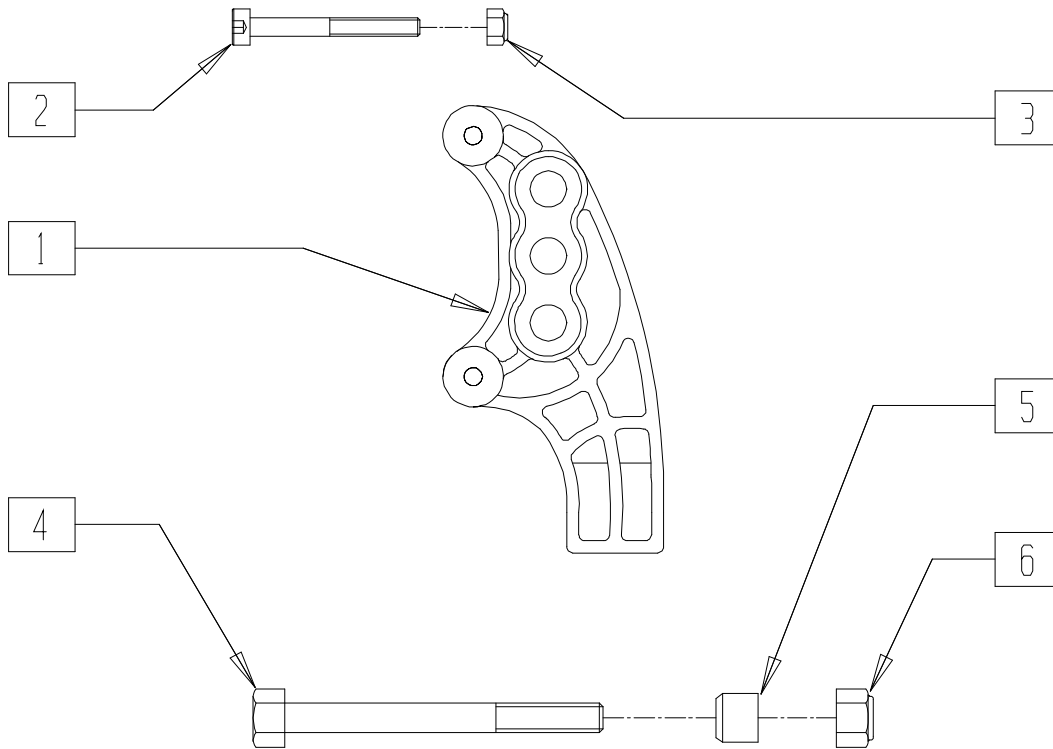


BZY20X07

ITEM	NUMBER	DESCRIPTION	QTY
1		AMPUTEE AXLE (600)(24")	
2		CAP SCREW M6 x 45mm	3
3		SADDLE WASHER 25mm DIA	6
4		NUT, HEX M6	3

ITEM	NUMBER	DESCRIPTION	QTY
5		NUT, HEX M12	1
6		BOLT, HEX M12 x 130mm	1
5,6	921298	24" RR WHL AMP AXLE BLT/NUT ES	
1-4	901207	AXLE BRACKET AMP ASSM ES	

OFFSET AXLE PLATE 24" (GUARDIAN ESCORT)

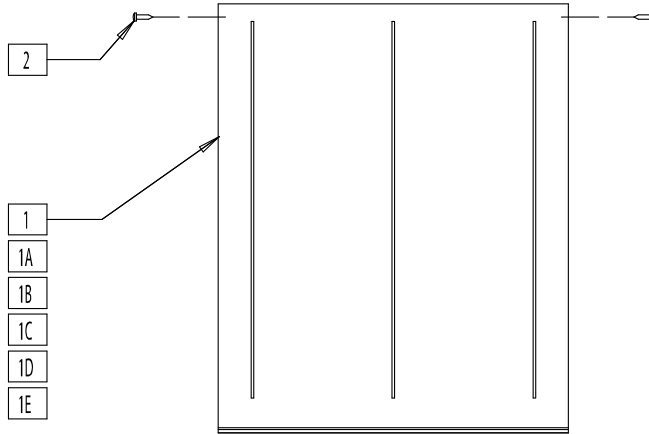


BZY20X36

ITEM	NUMBER	DESCRIPTION	QTY
1		OFFSET AXLE BRACKET	1
2		CAP SCREW M6 x 45mm	2
3		NUT, HEX M6	2
4		BOLT, HEX M12 x 130mm	1

ITEM	NUMBER	DESCRIPTION	QTY
5		SPACING SLEEVE	1
6		NUT, HEX M12	1
1-3	901208	AXLE BRACKET OFFSET ASSM ES	
4-6	921299	24" RR WHL OFFSET AXLE HDWR ES	

BACKREST UPHOLSTERY (GUARDIAN ESCORT)



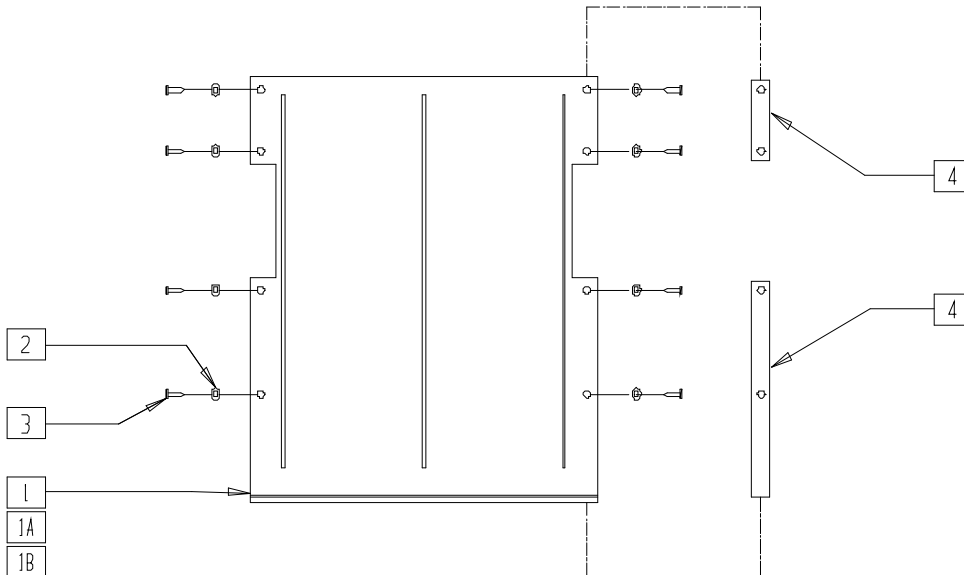
BZY20X09

ITEM	NUMBER	DESCRIPTION	QTY
2		SCREW, SELF TAPPING 4.8mm DIA x 19mm	8
1,2	687113	BACK UPH 16" NYLON W/HDWR GE	
1A,2	687114	BACK UPH 18" NYLON W/HDWR GE	

ITEM	NUMBER	DESCRIPTION	QTY
1B,2	687115	BACK UPH 20" NYLON W/HDWR GE	
1C,2	687123	BACK UPH 16" VINYL W/HDWR GE	
1D,2	687124	BACK UPH 18" VINYL W/HDWR GE	
1E,2	687125	BACK UPH 20" VINYL W/HDWR GE	

NOTE: THE BACK UPHOSTERY CHANGED FROM A SCREW MOUNT STYLE TO A T-SHIRT STYLE IN 2006. THE SCREW MOUNT STYLE IS NO LONGER AVAILABLE BUT THE T-SHIRT STYLE WILL WORK IN ITS PLACE.

HALF-FOLDING BACKREST UPHOLSTERY (GUARDIAN ESCORT)

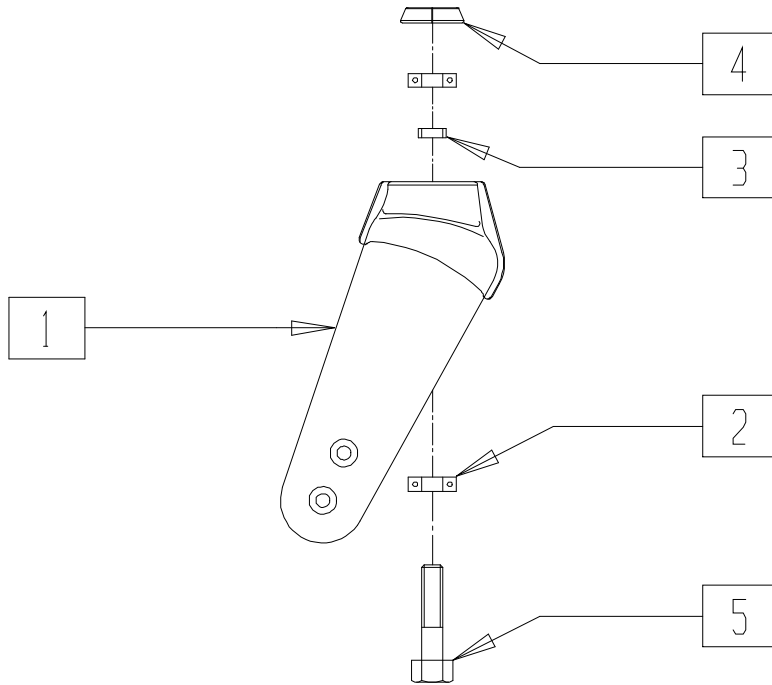


BZY20X10

ITEM	NUMBER	DESCRIPTION	QTY
2		WASHER 5mm DIA	8
3		SCREW, SELF TAPPING 4.8mm DIA x 19mm	8
4		METAL INSERT STRIPS	2

ITEM	NUMBER	DESCRIPTION	QTY
1-4	687133	BCK UPH 1/2 FLD 16" NYLON W/HDWR	
1A,2-4	687134	BCK UPH 1/2 FLD 18" NYLON W/HDWR	
1B,2-4	687135	BCK UPH 1/2 FLD 20" NYLON W/HDWR	

CASTER FORK ASSEMBLY (GUARDIAN ESCORT)

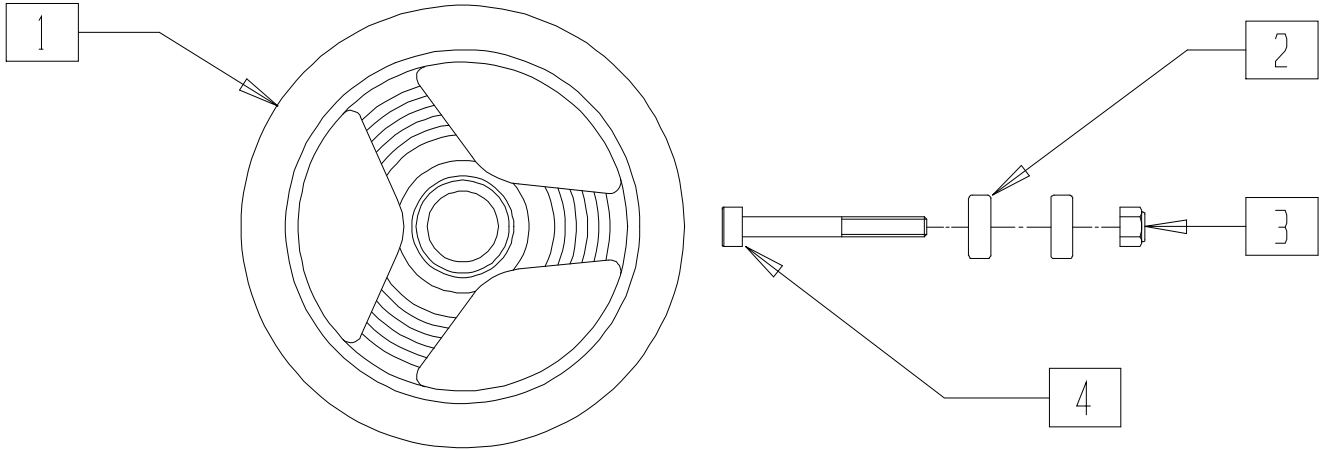


BZY20X30

ITEM	NUMBER	DESCRIPTION	QTY
1		COMPOSITE FORK, BLACK	1
2		BEARING 6001 ZZ	2
3		SPACER	1

ITEM	NUMBER	DESCRIPTION	QTY
4	560033	COSMETIC RING, FOR FORK GE	1
5	230102	STEM BOLT GE	1
1-3	781115	FORK ASSEMBLY W/BEARINGS GE	

STANDARD CASTER ASSEMBLY (8") (GUARDIAN ESCORT)

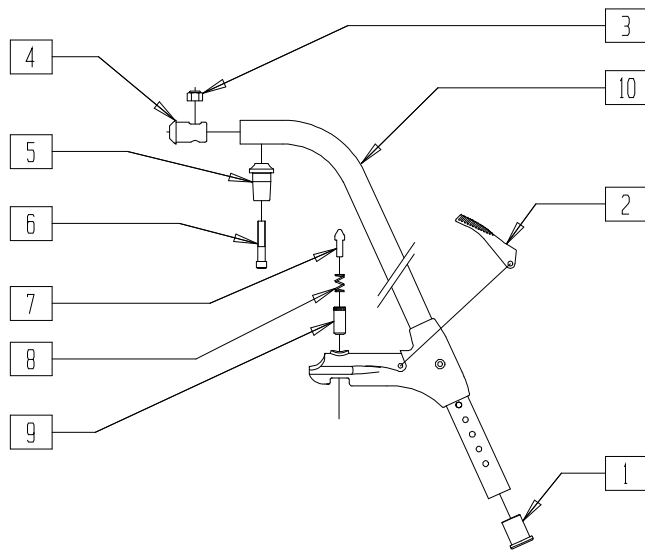


BZY20X22

ITEM	NUMBER	DESCRIPTION	QTY
1		CASTER WHEEL (8") DIA	1
2		BEARING 23 x 8 x 30	2
3		NUT, HEX M8	1
4		CAP SCREW M8 x 75	1

ITEM	NUMBER	DESCRIPTION	QTY
1,2	400112	STD SOLID WHEEL ASSM (8") GE	
2	900011	SET OF 4 BEARINGS	
3,4	922120	CASTER WHEEL HDWR GE (PR)	

SWING-AWAY HANGER ASSEMBLY (GUARDIAN ESCORT)

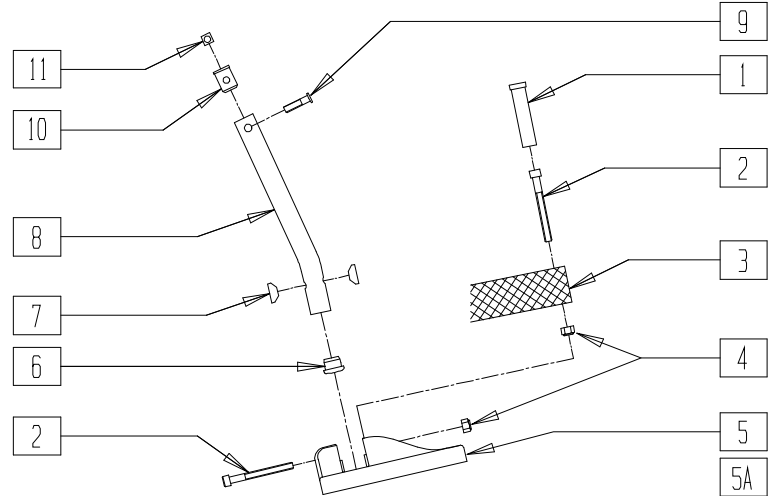


BZY20X16

ITEM	NUMBER	DESCRIPTION	QTY
1	561161	TUBE END BUSHING, FR GE	1
2	561162	RELEASE LEVER GE	1
3		NUT, HEX M8	1
4	561163	CAP, UPPER FOOT REST GE	1
5	561166	PIVOT SADDLE GE	1
6		SCREW M8 x 45	1

ITEM	NUMBER	DESCRIPTION	QTY
7		PIN, DETENT	1
8		ARTICULATING SPRING	1
9		BUSHING/SLEEVE, UPPER FOOTREST	1
1-9		FOOTREST SUPPORT ASSEMBLY	
7-9	880059	SWING-AWAY PIN ASSEMBLY GE	
1-10	641185	UPPER HANGER ASSEMBLY GE	

FOOTPLATE AND EXTENSION TUBE ASSEMBLY (GUARDIAN ESCORT)

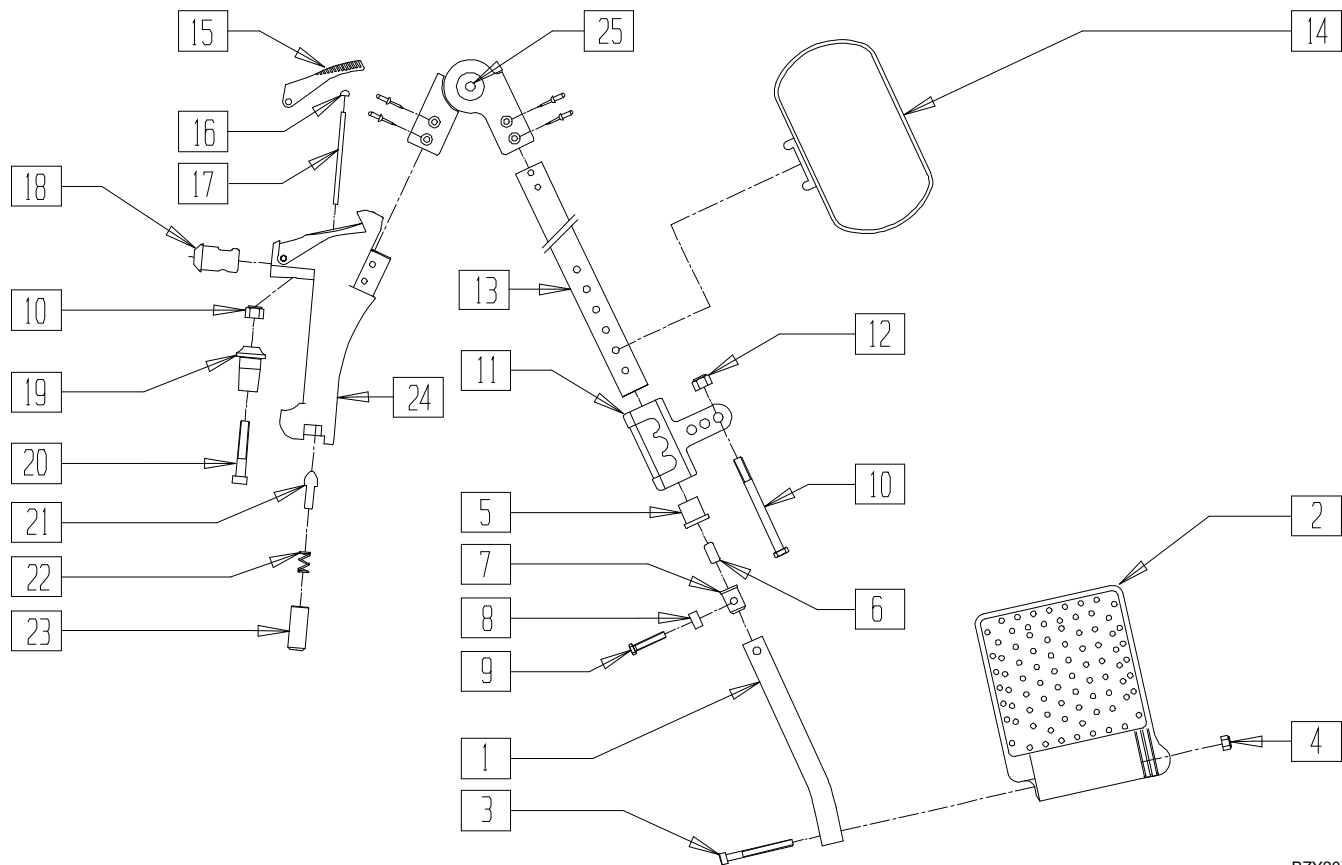


BZY20X15

ITEM	NUMBER	DESCRIPTION	QTY
1		HEEL SUPPORT	1
2		CAP SCREW M6x60	1
3		HEEL STRAP BREEZY (16")	1
		HEEL STRAP BREEZY (18"-20")	1
4		NUT HEX M6	1
5	561202, 561203	S/A FOOTPLATE (16") GE (EA)	1
5A	561206, 561207	S/A FOOTPLATE (18"-20") GE (EA)	1
6		CAP 19mm DIA x 2	1
7		SADDLE WASHER	2

ITEM	NUMBER	DESCRIPTION	QTY
8		TUBE, FOOTREST	1
9		SCREW M6x25	1
10		FOOTREST TUBE INSERT PIERCED	1
		NUT, SQUARE M6	1
1-4	741172	HEEL STRAP ASSM (16") GE (PR)	
1-4	741173	HEEL STRAP ASSM (18"-20") GE (PR)	
9-11	880069	FOOTREST INSERT KIT GE	
1-11	921084, 921085	FOOTREST ASSM (16") WIDE GE (EA)	
1-11	921086, 921087	FOOTREST ASSM (18"-20") WIDE GE (EA)	

ELEVATING LEGREST ASSEMBLY (16", 18"- 20") (GUARDIAN ESCORT)

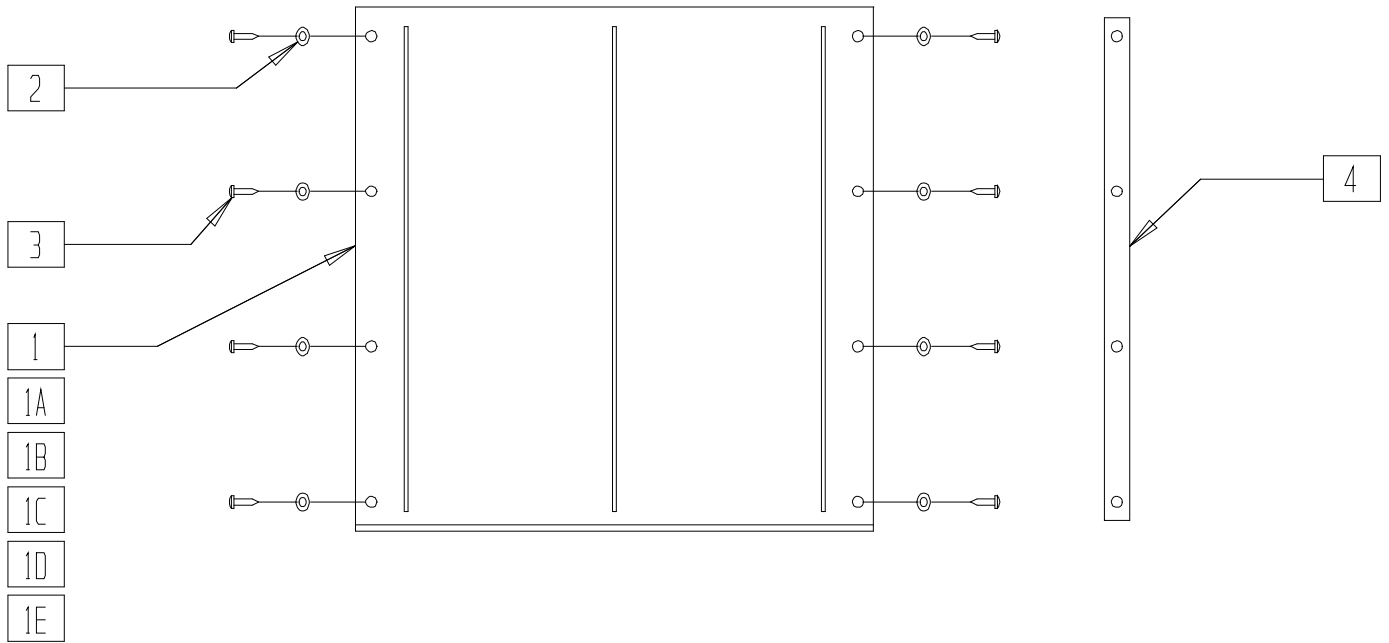


BZY20X18

ITEM	NUMBER	DESCRIPTION	QTY
1		TUBE, FOOTREST	1
2	561222, 561223	ELR FOOTPLATE, (16") GE (EA)	1
	561224, 561225	ELR FOOTPLATE, (18"-20") GE (EA)	
3		CAP SCREW M6x60	1
4		NUT HEX M6	1
7		INSERT BUSHING, ELR	1
8		BSHNG/SLEEVE, LWR 14 mm x 6.25 x 8	1
9		BOLT HEX M6 x 30	1
10		SCREW HEX M8x90,	1
11	502167	BRACKET/CLAMP, TUBE GE	1
12		NUT HEX M8	1
13		ELEVATING LEG, TUBE	1
14	561215	CALF SUPPORT P.V.C GE	1
15	561162	RELEASE LEVER GE	1
16		CAP, EXTERIOR 4mm	1
17		ROD, EXTENSION ALUMINUM	1
18		CAP, UPPER FOOTREST	1
19		PIVOT SADDLE	1
20		SCREW M8x45	1

ITEM	NUMBER	DESCRIPTION	QTY
21		PIN, DETENT	1
22		ARTICULATING SPRING	1
23		BUSHING/SLEEVE, UPPER FOOTREST	1
24		SUPPORT, ELEVATING LEG REST	1
25	349629	RELEASE BUTTON BLACK GE	1
1-25	921020, 921021	ELR LEGREST ASSM, (16") GE (EA)	
1-25	921022, 921023	ELR LEGREST ASSM (18"-20") GE (EA)	
1-4	882342, CHANGE 882343	LWR F/PLT ASSM W/EXT (16") GE (EA)	
1-4	882344, CHANGE 882345	LWR F/PLT ASSM W/EXT (18"-20") GE (EA)	
5-7	881391	LWR EXT TUBE MNTG HDWR GE	
10,12	881392	CALF PAD HDWR GE	
PARTS CHANGE	641450, 641451	UPPER ELR HANGER ASSM GE (EA)	
16,17, 21,22,23	881393	ELR RELEASE HDWR GE	
1-25	ESQSEL16	QS ELR 16"	
1-25	ESQSEL18	QS ELR 18"	

SEAT SLING (GUARDIAN ESCORT)

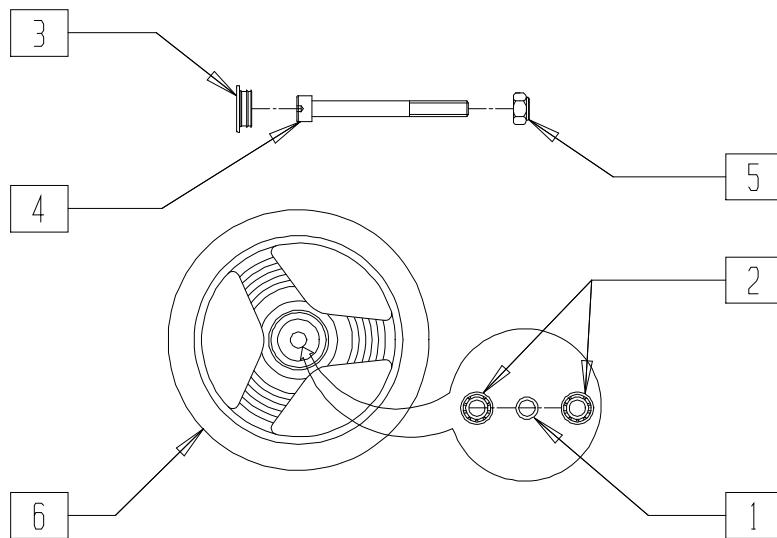


BZY20X08

ITEM	NUMBER	DESCRIPTION	QTY
2		WASHER 5mm DIA	8
3		SCREW SELF TAP 4.8mm DIA x19mm	
4		SEAT INSERT STRIP	2
1-4	721092	SEAT UPH 16" NYLON W/HDWR GE	
1A,2-4	721093	SEAT UPH 18" NYLON W/HDWR GE	

ITEM	NUMBER	DESCRIPTION	QTY
1B,2-4	721094	SEAT UPH 20" NYLON W/HDWR GE	
1C,2-4	721095	SEAT UPH 16" VINYL W/HDWR GE	
1D,2-4	721096	SEAT UPH 18" VINYL W/HDWR GE	
1E,2-4	721097	SEAT UPH 20" VINYL W/HDWR GE	

POLY WHEEL ASSEMBLY (12") (GUARDIAN ESCORT)

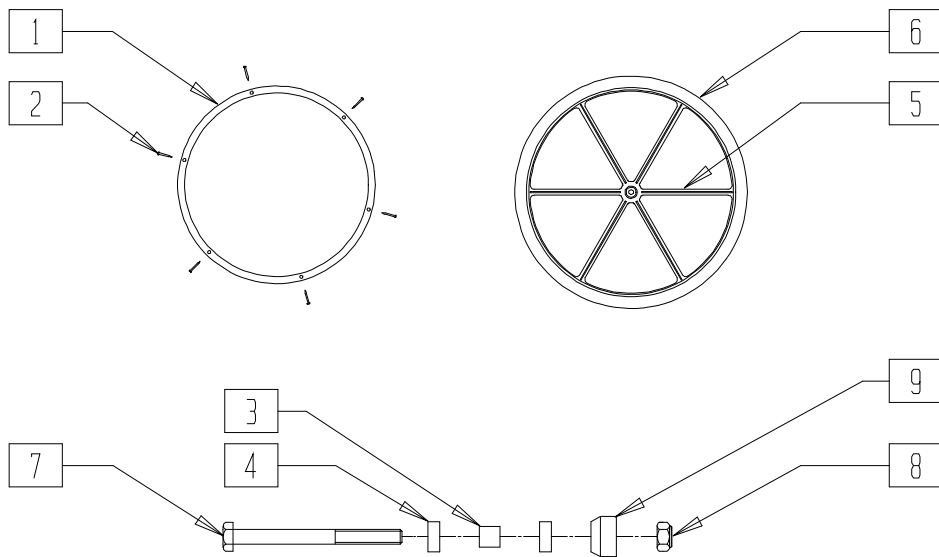


BZY20X23

ITEM	NUMBER	DESCRIPTION	QTY
1		SPACER, WHEEL (12") DIA	1
2		BEARING (32x12x10) 6201 ZZ	2
3	562110	HUB CAP (12") DIA GE	1
4		CAP SCREW M12x120	1

ITEM	NUMBER	DESCRIPTION	QTY
5		NUT,HEX M12	1
1,2	900012	BEARING SET(4 EA) GE	
4,5	922121	12" WHL HDWR ET	
1,2,6	761714	POLY WHEEL ASSM (12") ET	

MAG WHEEL ASSEMBLY 6 SPOKE (24") (GUARDIAN ESCORT)

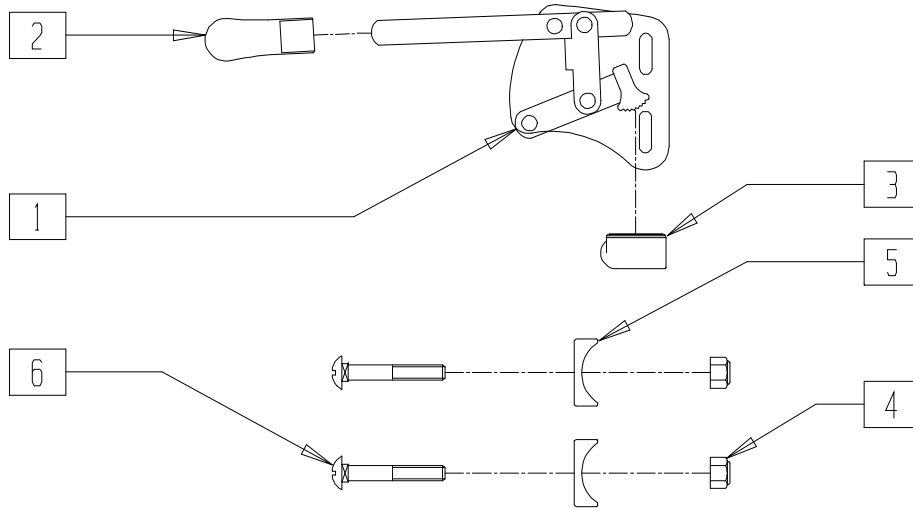


BZY20X31

ITEM	NUMBER	DESCRIPTION	QTY
1		HAND RIM 6 HOLES	1
2		SCREW SELF TAPPING 4.8mm x 50	6
3		BUSHING/SLEEVE ALUMINUM	1,2
4		BEARING 6001 ZZ. 28mm DIA x12x8	2,4
5		WHEEL 24" MAG RIM	1
6		TIRE 24" x 1 1/4"	1

ITEM	NUMBER	DESCRIPTION	QTY
7		BOLT HEX M12 x 130	1,2
8		NUT HEX M12	1,2
9		SPACER SLEEVE	1,2
1,2	426028	24" HANDRIM W/HDWR GE	
3,4	900013	BEARING SET (24" REAR WHL) GE	
7,8,9	921071	24" RR WHL AXL BOLT W/NUT&SPCR	
1-6	761719	24" REAR WHEEL ASSM GE	

WHEEL LOCK ASSEMBLY (12") (GUARDIAN ESCORT)

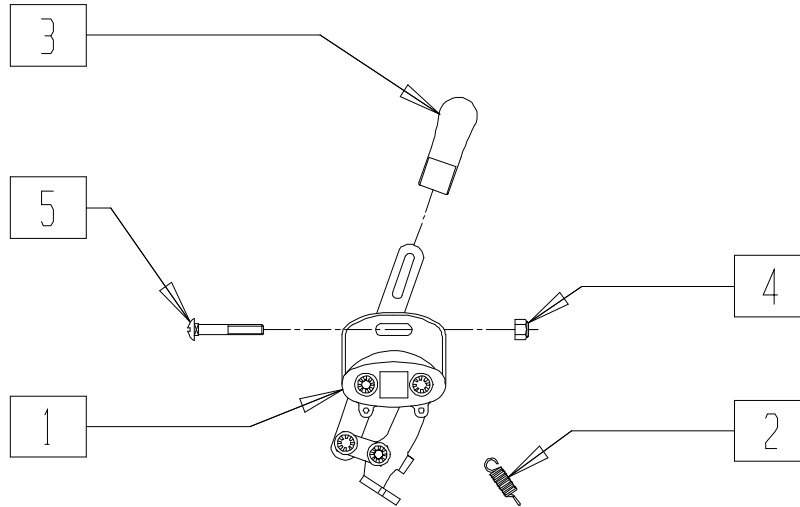


BZY20X13

ITEM	NUMBER	DESCRIPTION	QTY
1		WHEEL LOCK ASSEMBLY FOR (300)(12")(EA)	1
2	560304	WHEEL LOCK TIP GE (PR)	1
3		WHEEL LOCK SHOE	1
4		NUT HEX M6	2

ITEM	NUMBER	DESCRIPTION	QTY
5		SADDLE WASHER 25mm DIA	2
6		BOLT M6x40	2
1-6	900752, 900753	WHEEL LOCK ASSM 12" WHEEL ET (EA)	

WHEEL LOCK ASSEMBLY (24") (GUARDIAN ESCORT)

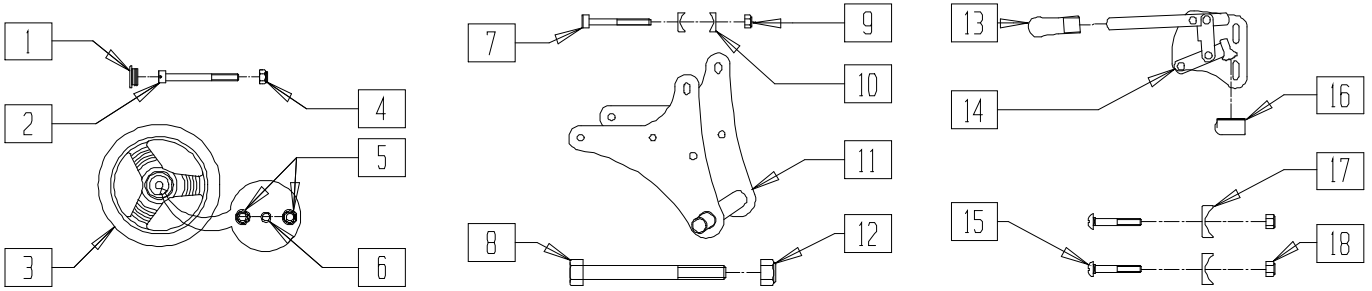


BZY20X12

ITEM	NUMBER	DESCRIPTION	QTY
1		RIVITED PARTS	
2	321773	SPRING (PR)	1
3	560304	WHEEL LOCK TIP (PR)	1
4		NUT HEX M6	1

ITEM	NUMBER	DESCRIPTION	QTY
5		BOLT M6x40	1
1-5	901548, 901549	BRAKE ASSM 24" WHEEL ES (EA)	

TRANSPORT CONVERSION KIT (12") (GUARDIAN ESCORT)



BZY20X38

ITEM	NUMBER	DESCRIPTION	QTY
1		HUB CAP (12") DIA	1
2		CAP SCREW M12 x 120	1
4		NUT HEX M12	1
1-6		12" POLY WHEEL ASSEMBLY	
7		CAP SCREW M6 x 45	3
8		BOLT, HEX M12 x 120mm	1
9		NUT HEX M6	3
10		SADDLE WASHER 25mm DIA	6
11		TRANSPORT AXLE BRACKET (300 mm DIA)(12")	1

ITEM	NUMBER	DESCRIPTION	QTY
12		NUT HEX M12	
13		WHEEL LOCK TIP (PR)	
14		WHEEL LOCK ASEMBLY FOR (300)(12")(EA)	1
15		BOLT M6 x 40	2
16		WHEEL LOCK SHOE	1
17		SADDLE WASHER 25mm DIA	2
18		NUT HEX M6	2
1-18	923478	TRNSPRT CNVRSN KIT (12") ET	

OXYGEN BOTTLE HOLDER (GUARDIAN ESCORT)

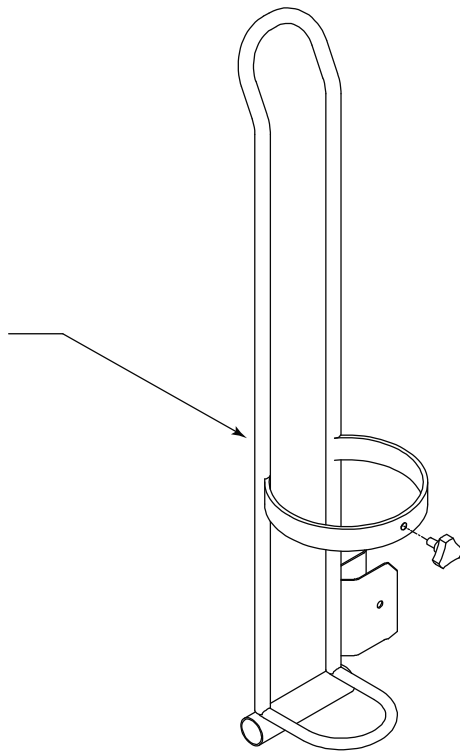


ILLUSTRATION MAY NOT MATCH ACTUAL PRODUCT

oxygen tank holder.ai

ITEM	NUMBER	DESCRIPTION	QTY
1	GE-O2	O2 HOLDER	1