



Q200R

PARTS MANUAL

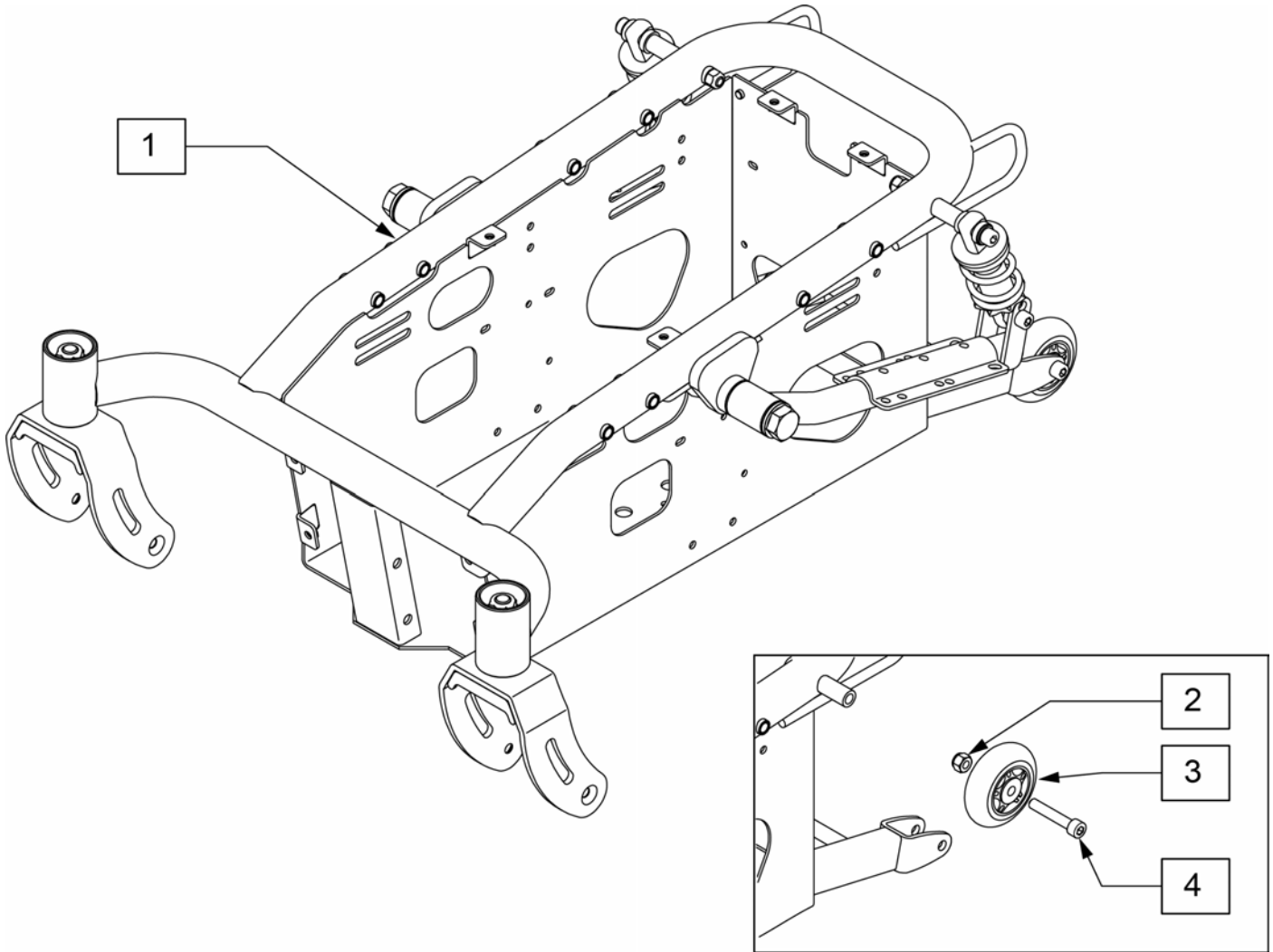
AUGUST 2022



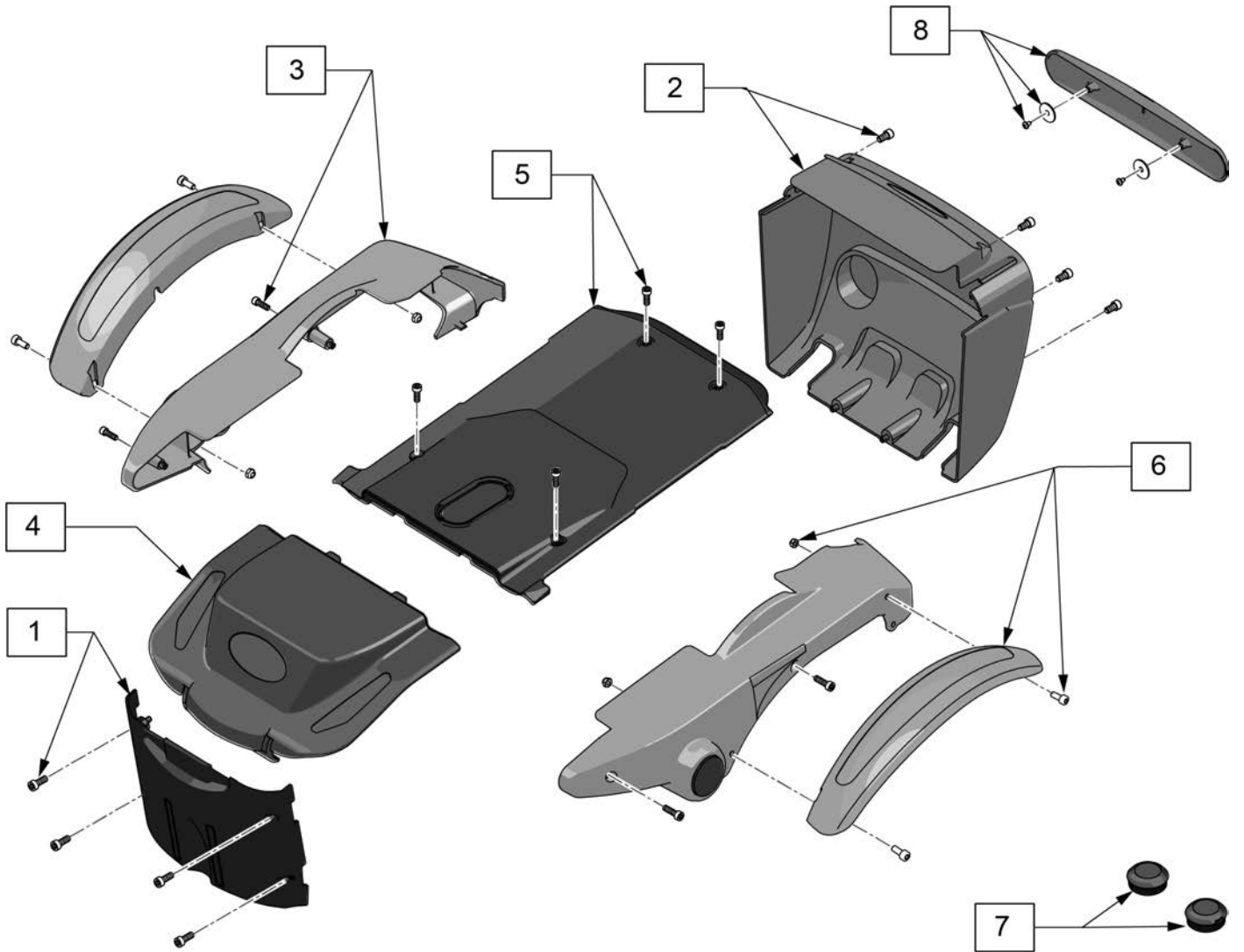
improving people's lives

Product

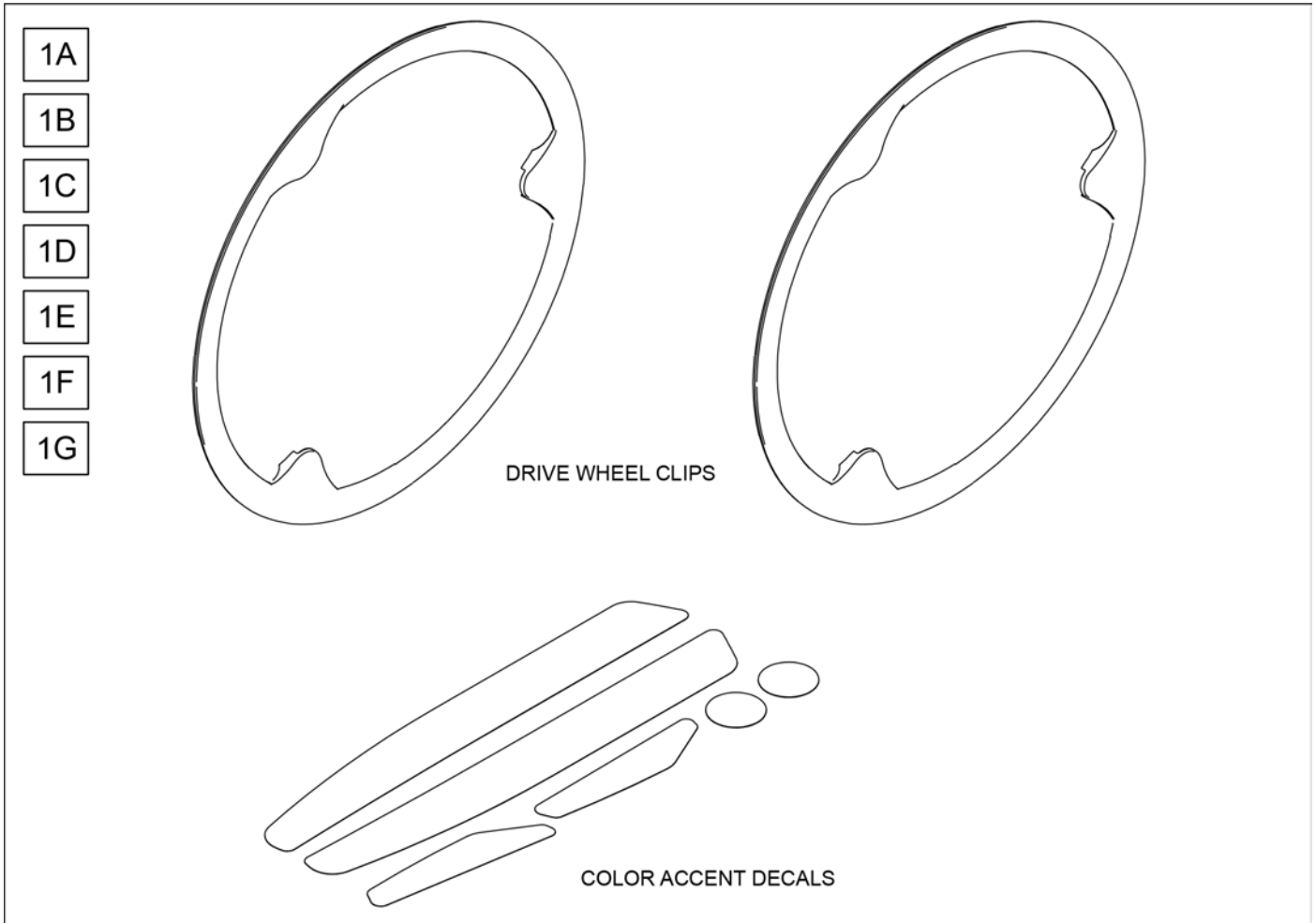
Cover.....	1
Product.....	1
Q200R.....	4
Base.....	4
Frame.....	4
Q200R Chassis.....	4
SHROUDS.....	4
Q200R SHROUDS.....	5
BASE COLOR ACCENTS.....	6
Casters & Forks.....	6
9 INCH CASTER AND FORK.....	7
DRIVE WHEELS.....	7
Q200R 12" DRIVE WHEEL.....	8
14" DRIVE WHEEL.....	9
MOTOR.....	9
MOTOR AND MOTOR MOUNT.....	10
Seating & Positioning.....	11
SEAT BASE & SEAT CUSHION.....	11
REHAB SEAT FRAME ASSEMBLY.....	12
SEAT SLING.....	13
SEAT PAN.....	14
TILT MECHANISM ASSEMBLY.....	15
BACKREST AND UPHOLSTERY.....	15
PUSH BAR BACKREST.....	16
PUSH HANDLE BACKREST.....	17
BACKREST UPHOLSTERY.....	18
ARMREST.....	18
SINGLE POST HEIGHT ADJ ARMREST.....	19
HEADREST.....	19
Q200R HEADREST.....	20
HANGERS AND FOOTPLATES.....	20
SEDEO 70 DEGREE SWING AWAY FOOTREST.....	21
PRO MANUAL ELR LEGREST.....	23
PRO POWER ELR LEGREST.....	25
Q200R HANGER RECEIVER.....	28
PRO SWING AWAY CALF PADS & KNEE PAD.....	29
CAPTAINS.....	30
CAPTAINS SEAT ASSEMBLY - WC19 TRANSIT.....	31
CAPTAINS SEAT ARMREST.....	32
CAPTAINS SEAT SA HANGER RECEIVER.....	33
Electronics.....	33
ATTENDANT CONTROL.....	34
Q200R CONTROLLER.....	35
BATTERY HARNESS.....	36
Q200R 55Ah BATTERY (Not available with Tilt).....	37
Q200R 50Ah BATTERY.....	38
S/A JOYSTICK MOUNT FOR LITE SPHA ARMREST.....	39
FIXED JOYSTICK MOUNT FOR LITE SPHA ARMREST.....	40
Accessories.....	40
Q200R LIGHTS.....	41
Q200R FENDER MOUNT LIGHTS.....	42



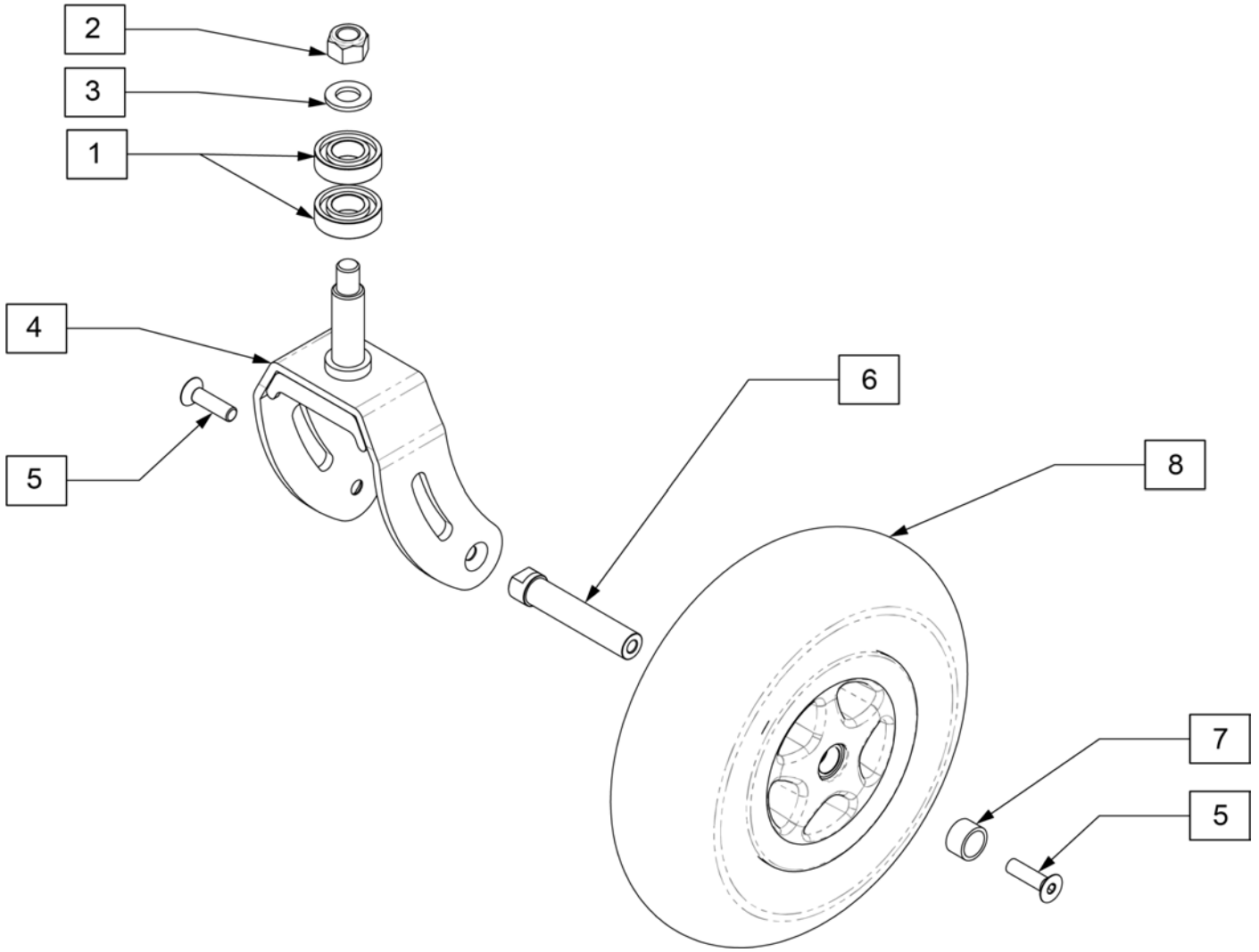
Pos.	Item Number	Description	Remarks
1	22601200	BASE SUB ASSEMBLY Q200R	
2-4	22601302	Q2R ANTI-TIP WHEEL KIT	Includes both sides



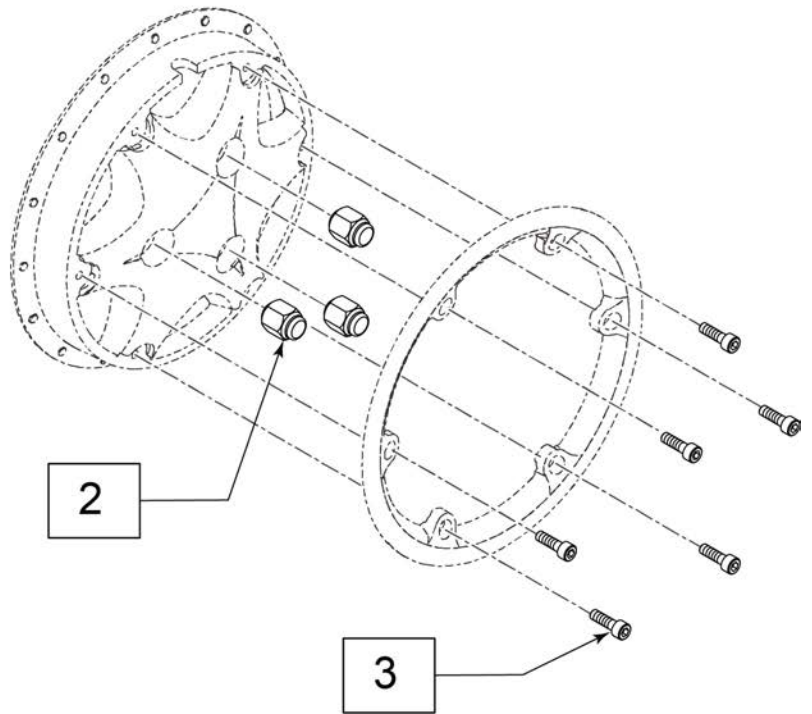
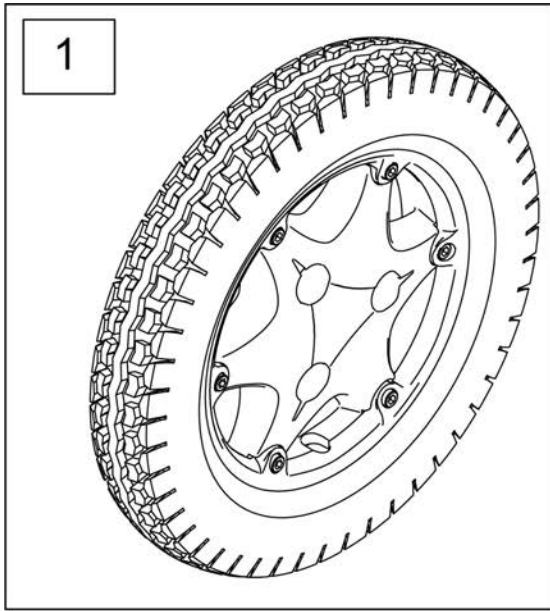
Pos.	Item Number	Description	Remarks
1	22614050	FRONT SHROUD	
2	168720	REAR SHROUD INC REFLECTORS	
3	22614052	SIDE SHROUD INC REFLECTOR	RH
3	22614053	SIDE SHROUD INC REFLECTOR	LH
4	168721	BATTERY COVER	
5	22614055	BATTERY FIXED SHROUD	
6	22614056	MUDGUARD 12 AND 14in WHEEL	RH
6	22614057	MUDGUARD 12 AND 14in WHEEL	LH
7	22614058	CASTOR CAP	PAIR
8	22614059	LIGHT BLANK SHROUD	



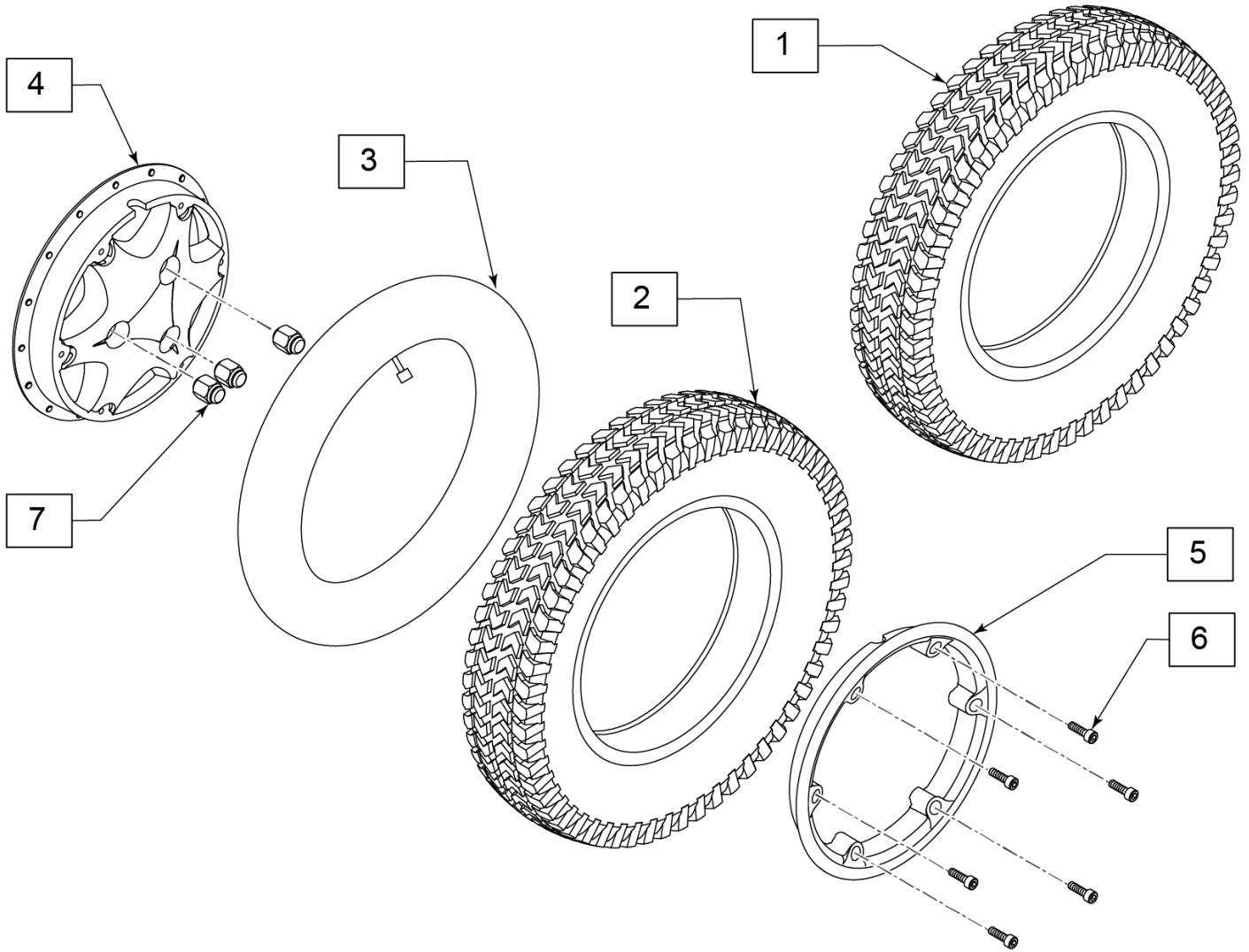
Pos.	Item Number	Description	Remarks
1A	243569	BLACK CLIP DRIVE WHEEL	Black Drive wheel Clips only, no color decals
1B	168395	COLOR ACCENT KIT RED	
1C	168396	COLOR ACCENT KIT GREEN	
1D	168397	COLOR ACCENT KIT BLUE	
1E	168398	COLOR ACCENT KIT WHITE	
1F	168399	COLOR ACCENT KIT ORANGE	
1G	168400	COLOR ACCENT KIT SILVER	



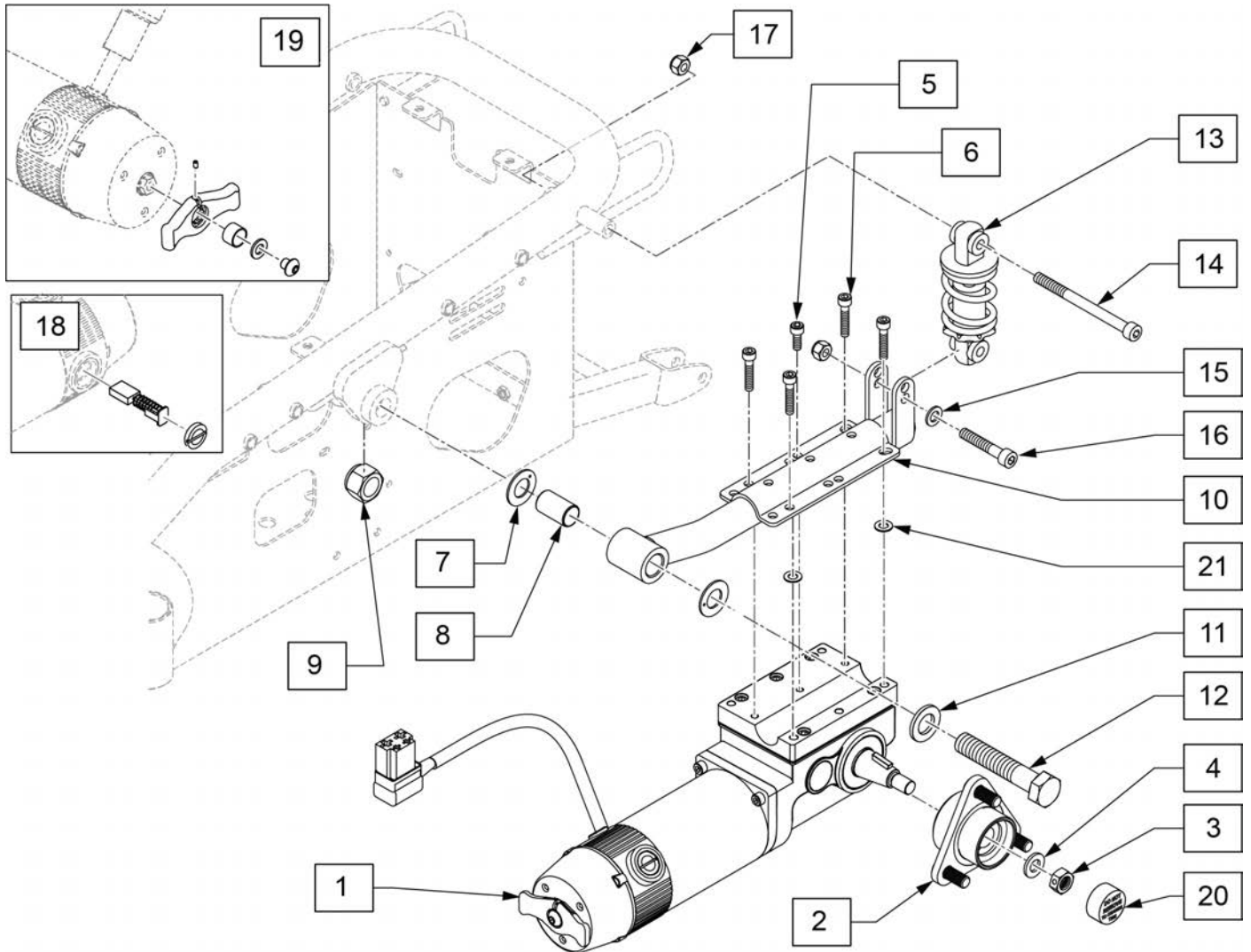
Pos.	Item Number	Description
1	22608051	BEARING KIT CASTOR FORK
2-4	22608008	CASTOR FORK 9 INCH WHEEL, BLACK
5-8A	168401	Q2R 5-SPK CASTER SOLID 9"
5-8B	168402	Q2R 5-SPK CASTER PNEU 9"



Pos.	Item Number	Description	Remarks
1	22607000	REAR WHEEL 6 SPOKE 12.5"	
2	161965	LUG NUT SET	Set of 3
3	163240	DRIVE WHEEL HDWR KIT	Set of 6

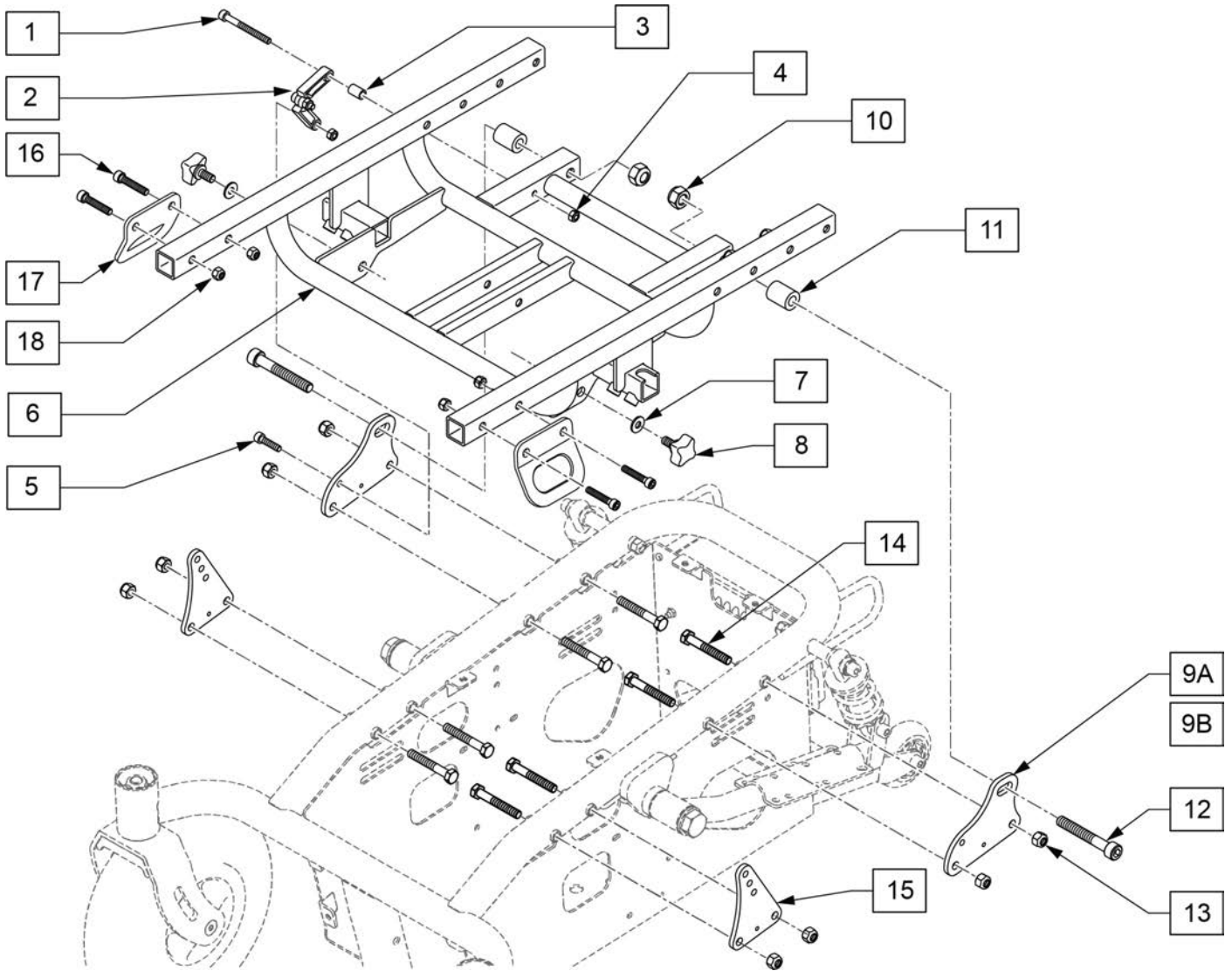


Pos.	Item Number	Description	Remarks
1	120923	3 X 8 KNOBBY TIRE BLACK DUAL DEN	
2	125284	TIRE PNEU 14 X 3 BLK	
3	384739	INNER TUBE 14" X 3" 90D STEM	
6	163240	DRIVE WHEEL HDWR KIT	Set of 6
7	161965	LUG NUT SET	Set of 3
1,4-6	248815	6-SPOKE 14" X 3" KNOBBY BLK DD	
2-6	245399	6-SPOKE 14" X 3" KNBY BLK PNEU	

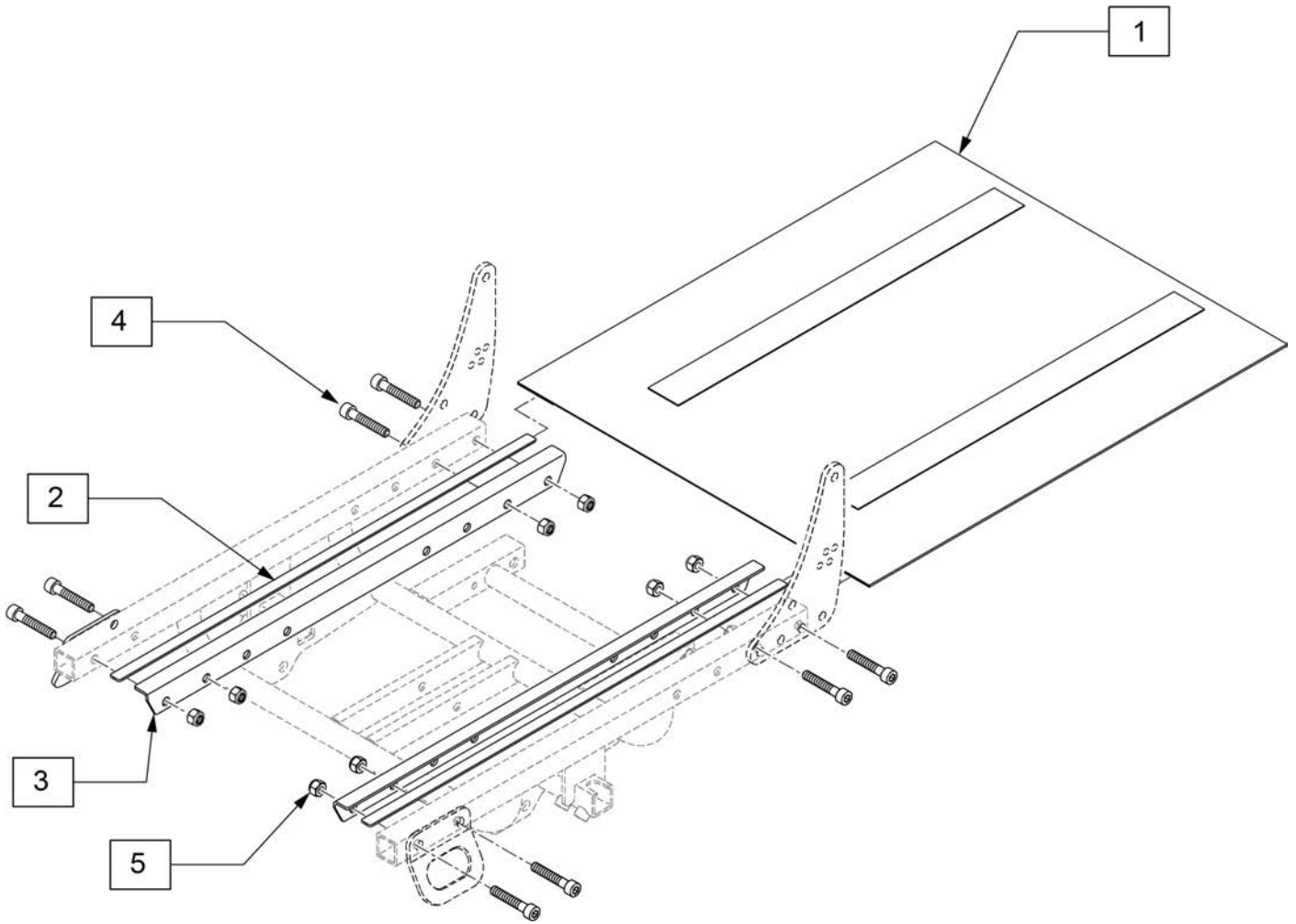


Pos.	Item Number	Description	Remarks
1-4	250280	MTR W/HUB 10KPH 2-PL L	Left
1-4	250281	MTR W/HUB 10KPH 2-PL R	Right
5,6,21	168408	Q2R MOTOR HDW KIT	
7,8,10	22601303	MOTOR MOUNT SPARES	
13-17	22601301	Q2R SUSPENSION SPRING KIT	
18	112281	BRUSH KIT 4 PL	Includes 4 brushes
7-9,11,12	168407	Q2R MOTOR MOUNT HW KIT	
2-4	161956	3 SPOKE 4PL HUB KIT	
19	252367	QUICKIE MOTOR BRAKE LEVER KIT	
20	349611	VINYL PLUG 7/8 DIA	PLUG ONLY

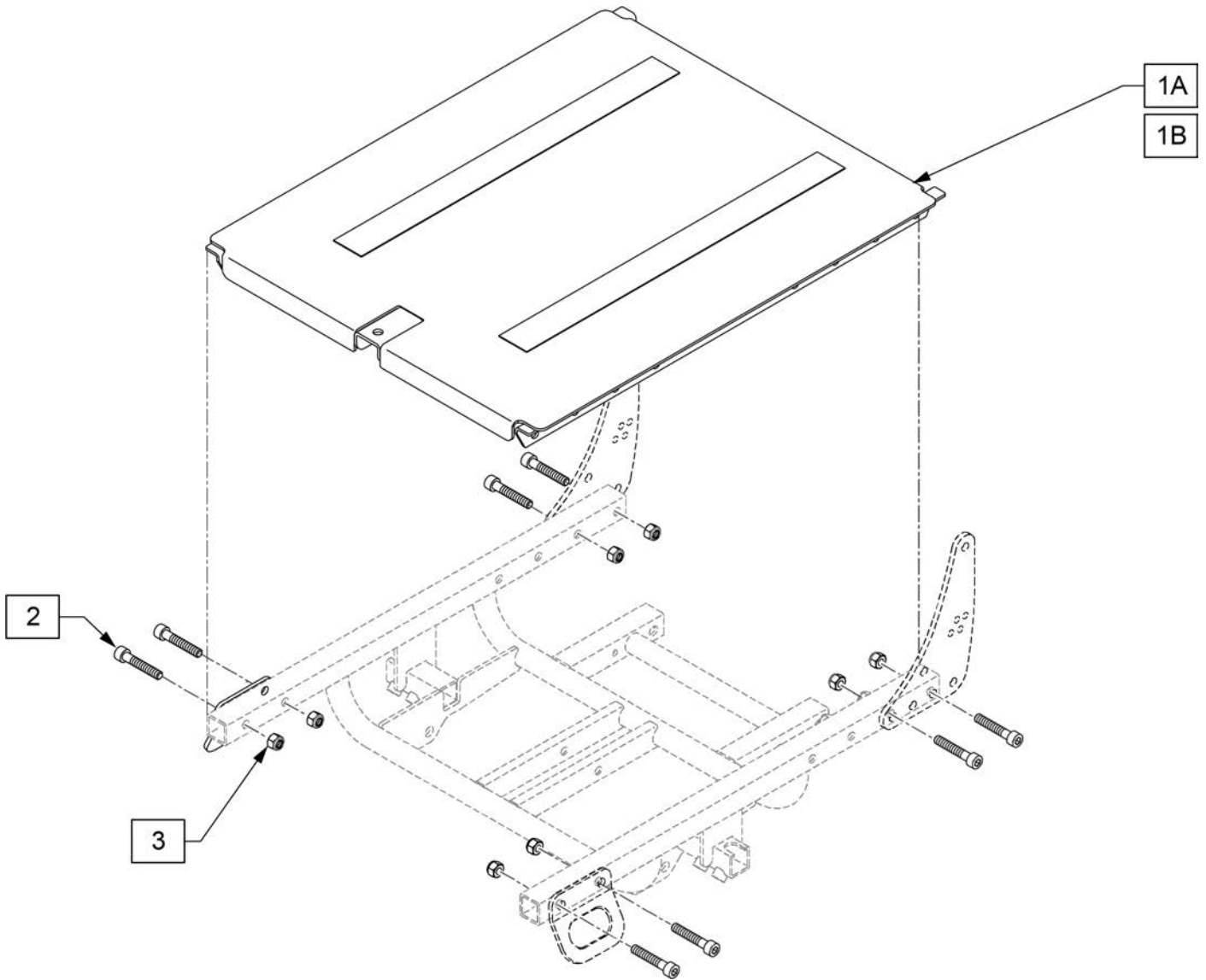
Note: Item 21 is not required if not present during replacement.



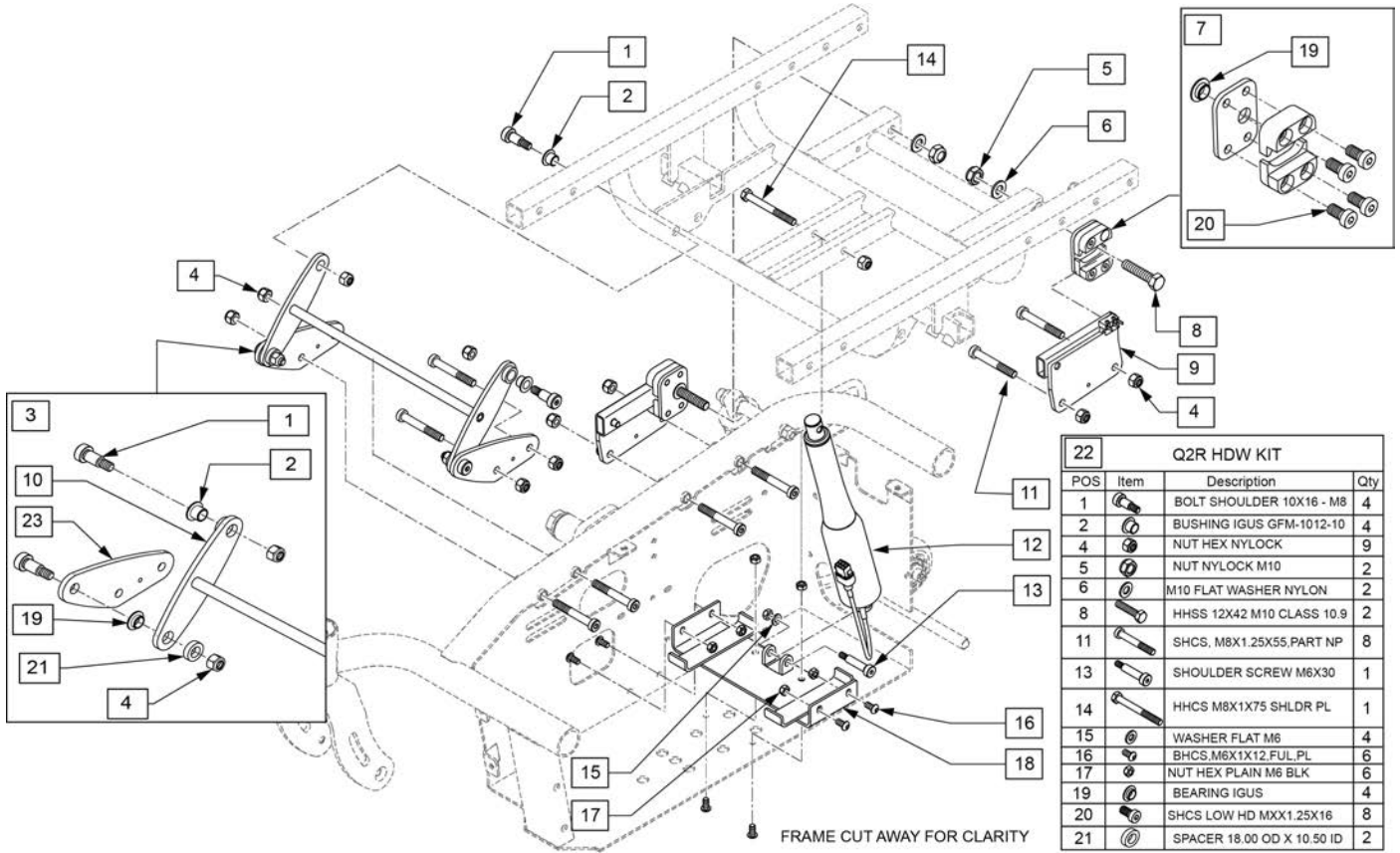
Pos.	Item Number	Description	Remarks
1-5	22602101	SEAT LATCH SPARES	
6A	22602019	SEAT FRM WELD ASSY Q100/Q200R	REHAB SEAT, W15-19" STD STFH
6B	22602205	SEAT FRAME ASSY 48W	REHAB, W17-21", LOW STFH
6C	22602200	SEAT FRM WELD ASSY 42W X 45FSH	REHAB, W15-19", LOW STFH
6D	22602210	SEAT FRAME ASSY 48W	REHAB, W17-21", LOW STFH
8	22602103	WING SCREW M8 x 16	
9A	22612004	SEAT REAR BRACKET Q100/200R	
9B	22612015	SEAT REAR BRACKET HEIGHT ADJUST	
11	22612008	SPACER REAR BRACKET Q100/Q200R SLING SEAT	
8,11,13,14	168425	Q2R SEAT POST - HW KIT	
7,8,9A,13-15	168423	Q2R SEAT POST LOW	
7,8,9B,13-15	168424	Q2R SEAT POST TALL	
16-18	168459	Q200RR TRANSIT HOOK KIT	



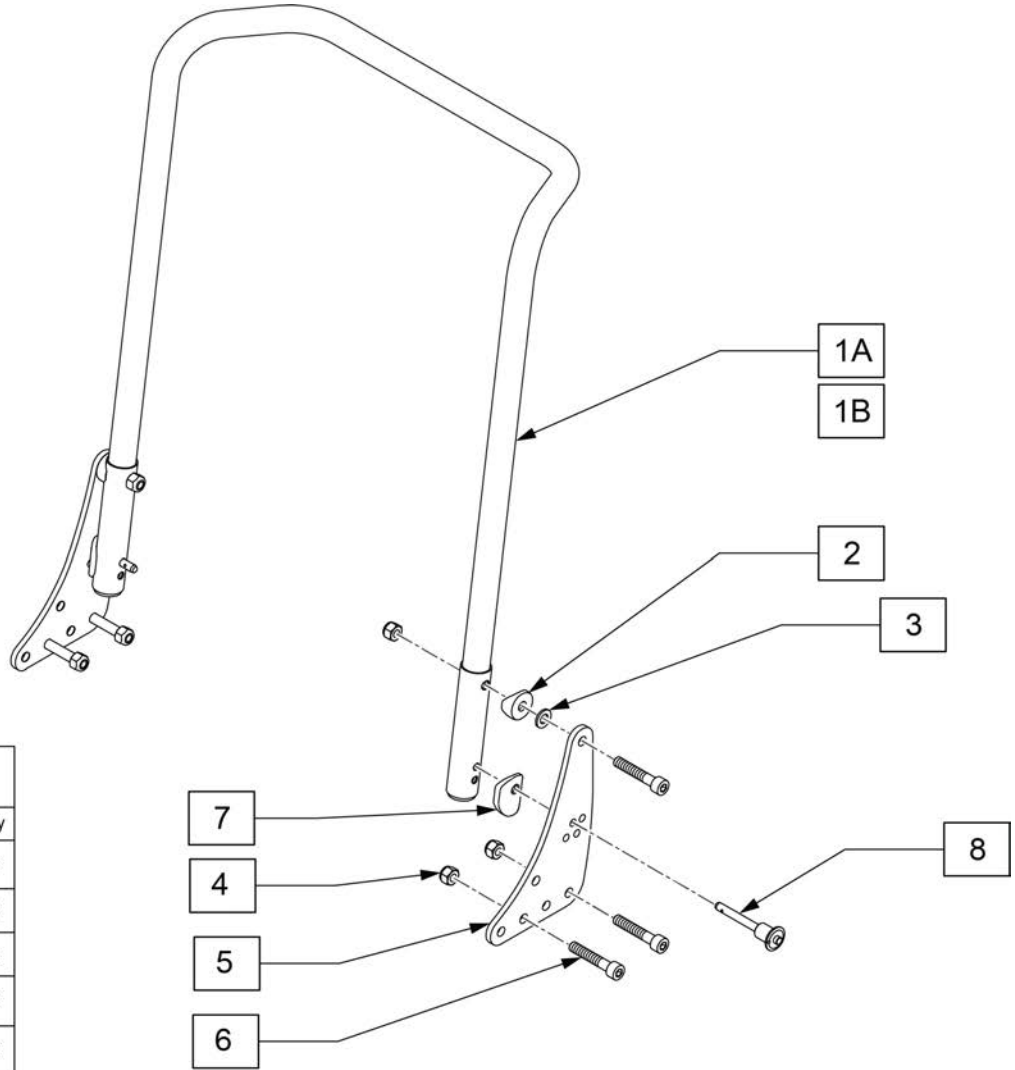
Pos.	Item Number	Description	Remarks
4,5	168461	Q2R SEAT PAN HDW KIT	
1-3	168427	Q2R SEAT SLING W15-19"	W15-19"
1-3	168428	Q2R SEAT SLING W17-21"	W17-21"



Pos.	Item Number	Description
1A	168429	SEAT PAN 42CM 15-19" WIDTH
1B	168420	SEAT PAN 48CM 17-21" WIDTH
2,3	168461	Q2R SEAT PAN HDW KIT

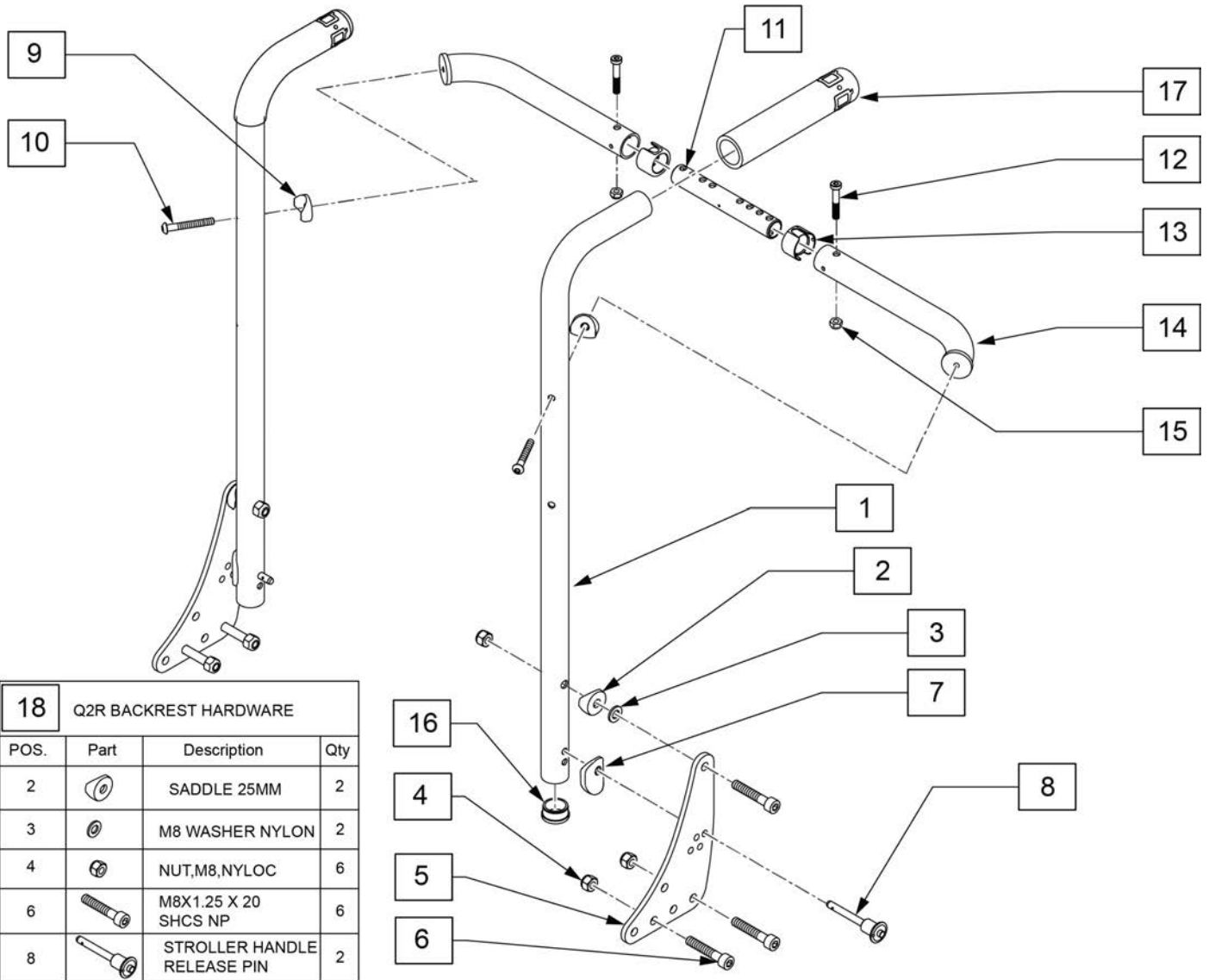


Pos.	Item Number	Description
3,7,9	168431	Q2R TILT BRKT MNTS
4,12-14	168432	Q2R TILT ACTUATOR
22	168435	Q2R HDW KIT
16-18	168722	Q2R TILT LOWER MOUNT KIT

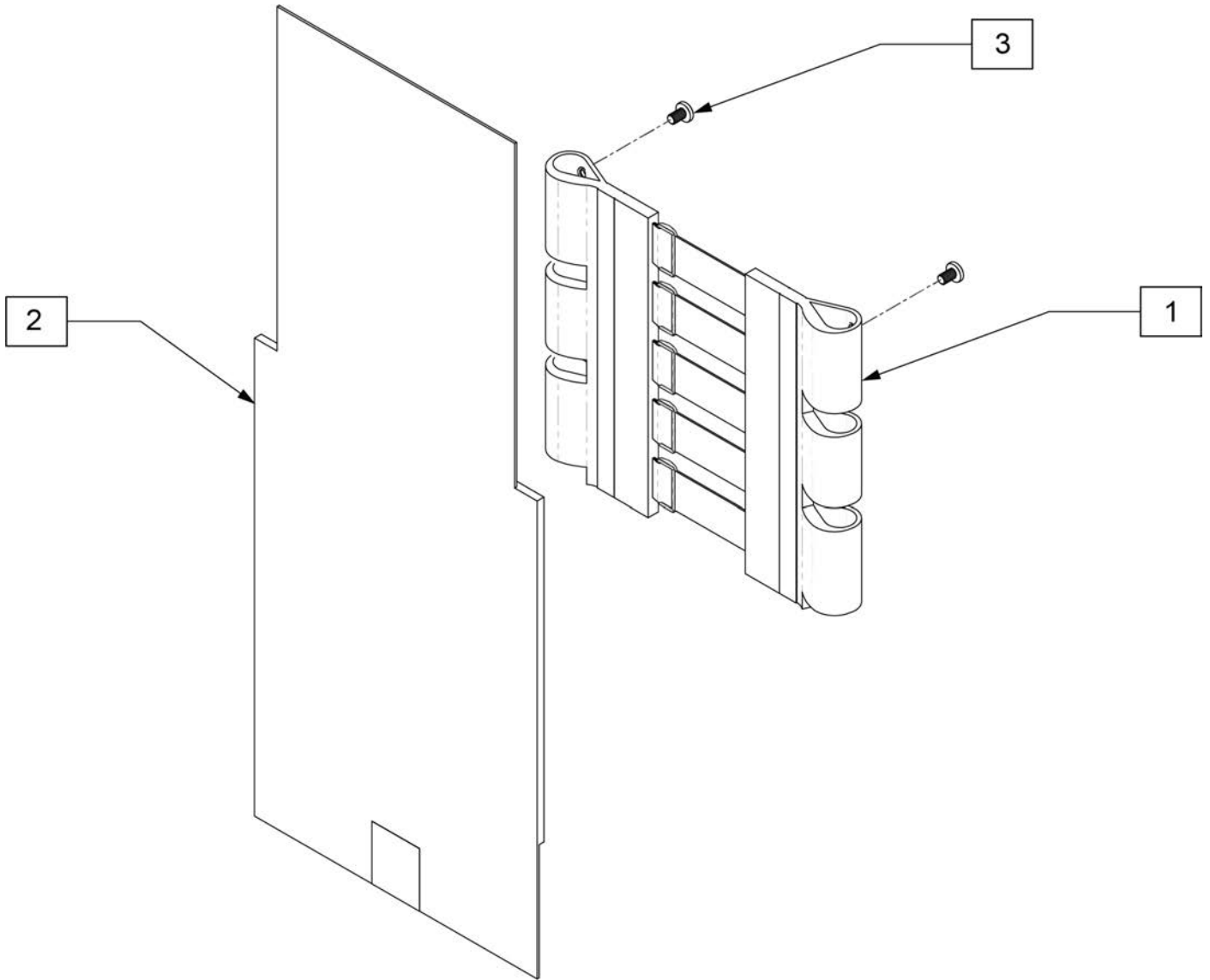


9 Q2R BACKREST HARDWARE			
POS.	Part	Description	Qty
2		SADDLE 25MM	2
3		M8 WASHER NYLON	2
4		NUT,M8,NYLOC	6
6		M8X1.25 X 20 SHCS NP	6
8		STROLLER HANDLE RELEASE PIN	2

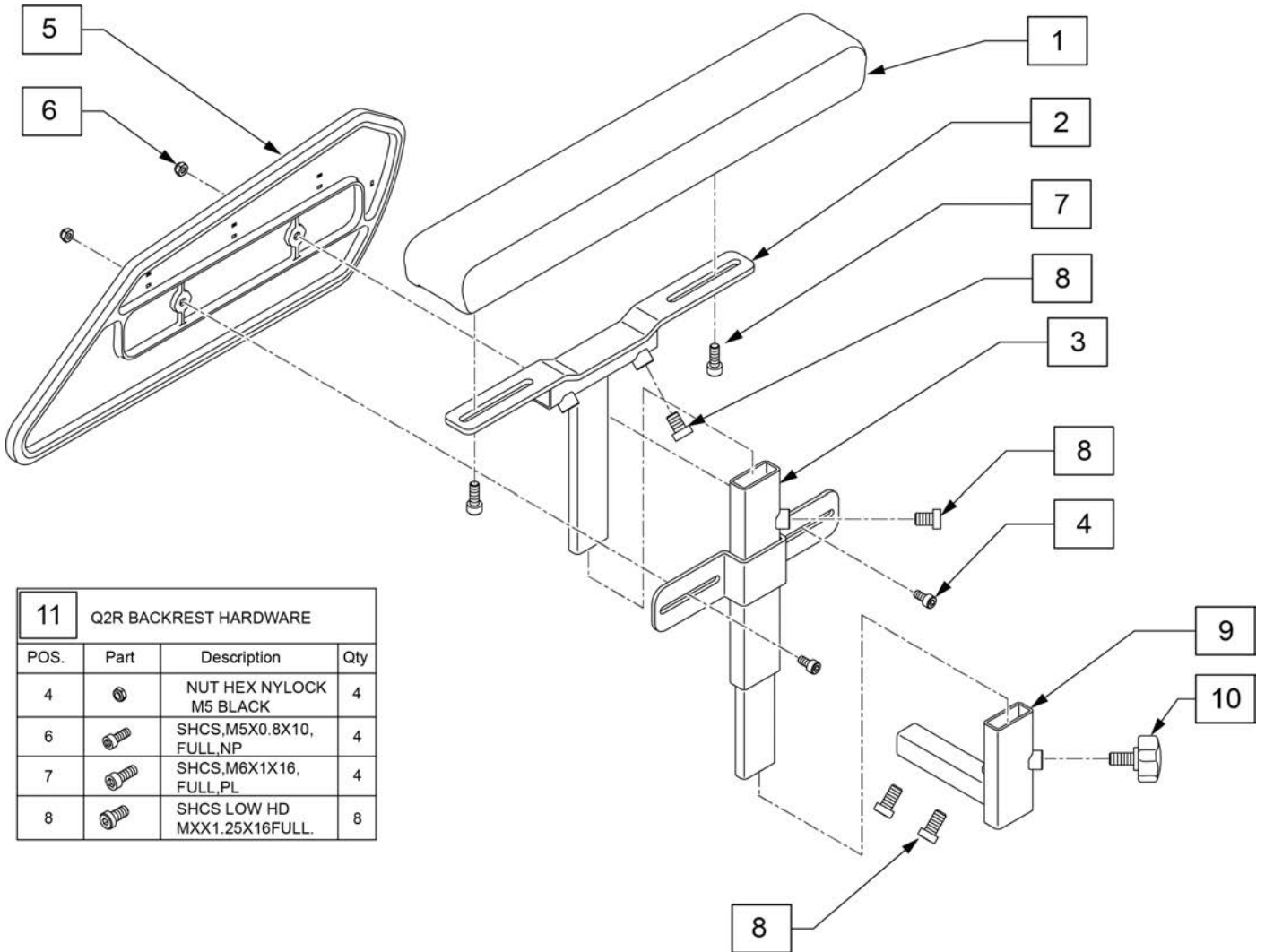
Pos.	Item Number	Description	Remarks
1A	22603030	BACKREST ASSY 57T X 42W	
1B	22603034	BACKREST TUBE WELDED ASSY 57T X 48W	
1A-8	168420	Q2R TWL BAR 23"X15-19" KIT	
1B-8	168421	Q2R TWL BAR 23"X17-21" KIT	
9	168422	Q2R BACKREST HARDWARE	
4,6	168461	Q2R SEAT PAN HDW KIT	Includes hardware to mount front bracket



Pos.	Item Number	Description	Remarks
1	255242	Q2R REHAB PUSH HANDLE LH	
1	255243	Q2R REHAB PUSH HANDLE RH	
5	22602008	BACKREST BRACKET	
7	22603053	BACKREST SPACER	
16	561019	1" INSERT PLUG .049	
17	920027	QUICKIE GRIP 1" W/INSTR SHEET	
1-17	168419	Q2R TRAILING PSH HANDLE KIT	
9-15	118633	TOWEL BAR ASSY 16-20S	
18	168422	Q2R BACKREST HARDWARE	
4,6	168461	Q2R SEAT PAN HDW KIT	Includes hardware to mount front bracket

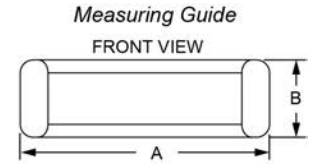
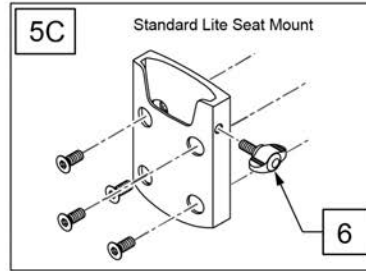
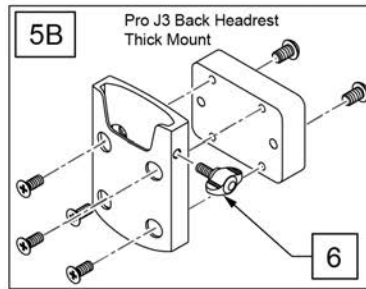
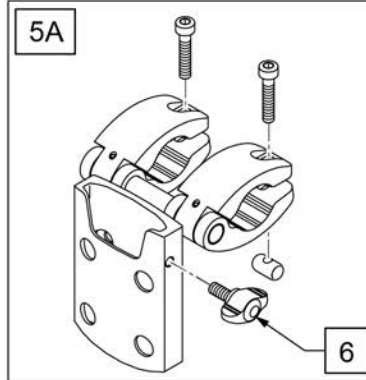
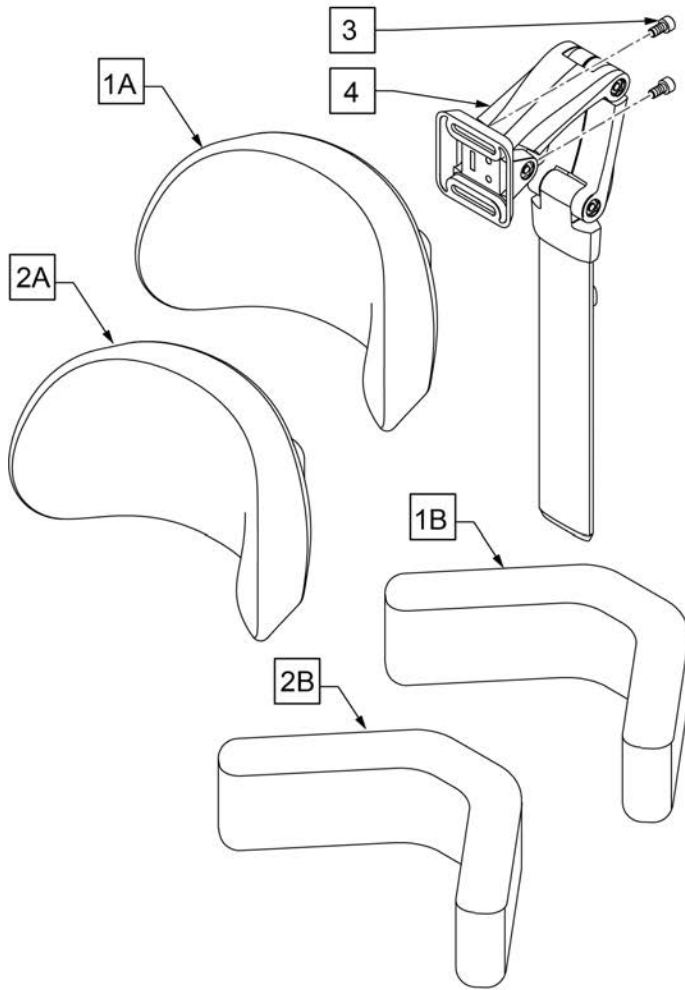


Pos.	Item Number	Description
1-3	168434	Q2R SLING BACK KIT
3	103189-004	SCREW ISO 7045 PAN HEAD M5 X 8

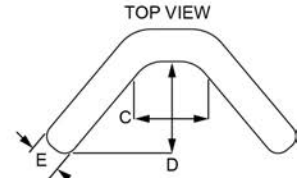


11 Q2R BACKREST HARDWARE			
POS.	Part	Description	Qty
4		NUT HEX NYLOCK M5 BLACK	4
6		SHCS, M5X0.8X10, FULL, NP	4
7		SHCS, M6X1X16, FULL, PL	4
8		SHCS LOW HD MXX1.25X16FULL.	8

Pos.	Item Number	Description	Remarks
1,7	168122	LITE ARMPAD KIT	
4-6	168123	SKIRTGUARD W HRDWR RIGHT	Right
4-6	168124	SKIRTGUARD W HRDWR LEFT	Left
2,8	22604053	ARMPAD SUPPORT SPARES	includes 1 fastener
3	22604014	ARMREST POST ASSY LH Q100/Q200R	
10	22602103	WING SCREW SPARES	both sides
1-10	22604025	ARMREST COMPLETE LH	
1-10	22604026	ARMREST COMPLETE RH	
11	166406	Q2R ARMREST HDW KIT	



A	15"
B	4.75"



C	4"
D	5.5"
E	2"

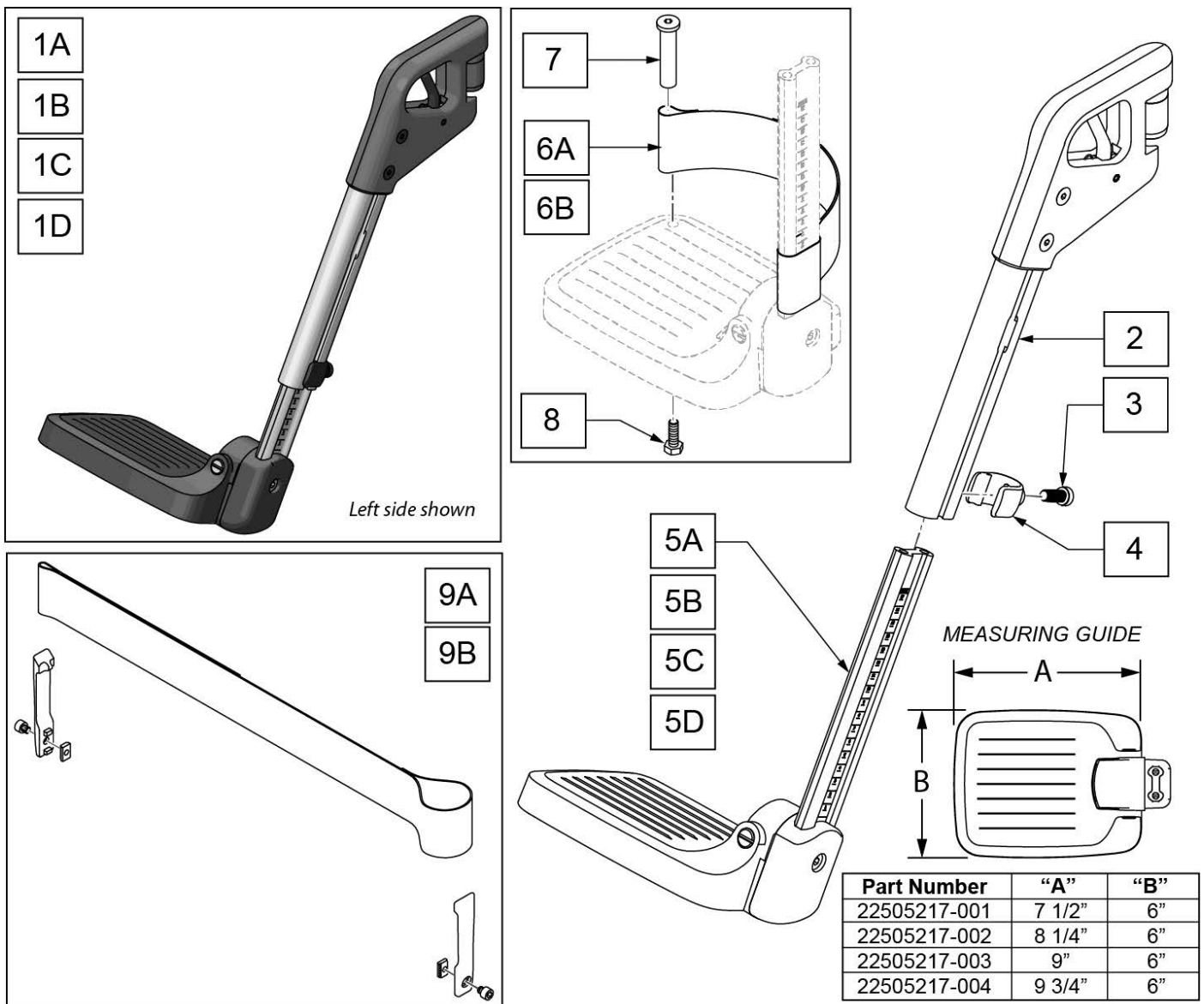
7 HEADREST HARDWARE KIT		
ILLUSTRATION	DESCRIPTION	QTY
	SHCS, M5X0.8X25, FULL, PL	2
	MINI WING KNOB M5X0.39X0.99	1
	SFHCS, M5 X 0.8 X 12MM	4
	BHCS, M6X1X12, FUL, PL	2

Pos.	Item Number	Description
1A	1010957	STANDARD PAD 10" w/ hardware
1B	1010997	SEDEO PAD FLEXIBLE
2A	20009103	HEADREST COVER PADDED
2B	20009105	COVER HEADREST CUSHION
3	103045	SHCS, M6 X 1 X 12, FULL, PL
4	21809210	SEDEO HEADREST ASSEMBLY
5A	168418	Q2R HEADREST MOUNT KIT
5B	248715	PRO J3 BACK HDRST THK MOUNT
5C	164996	HEADREST MOUNT LITE
6	249578	MINI WING KNOB M5 X 0.39 X 0.99
7	168725	HEADREST HARDWARE KIT

Note: not available with Wedge Shaped or Padded Side Guards.

Note: when retrofitting Swing Away Legrests then Hanger Receivers are required; refer to PRO HANGER RECEIVER parts page.

Note: optional Calf Pads sold separately; see PRO SWING AWAY CALF PADS & KNEE PAD parts page.

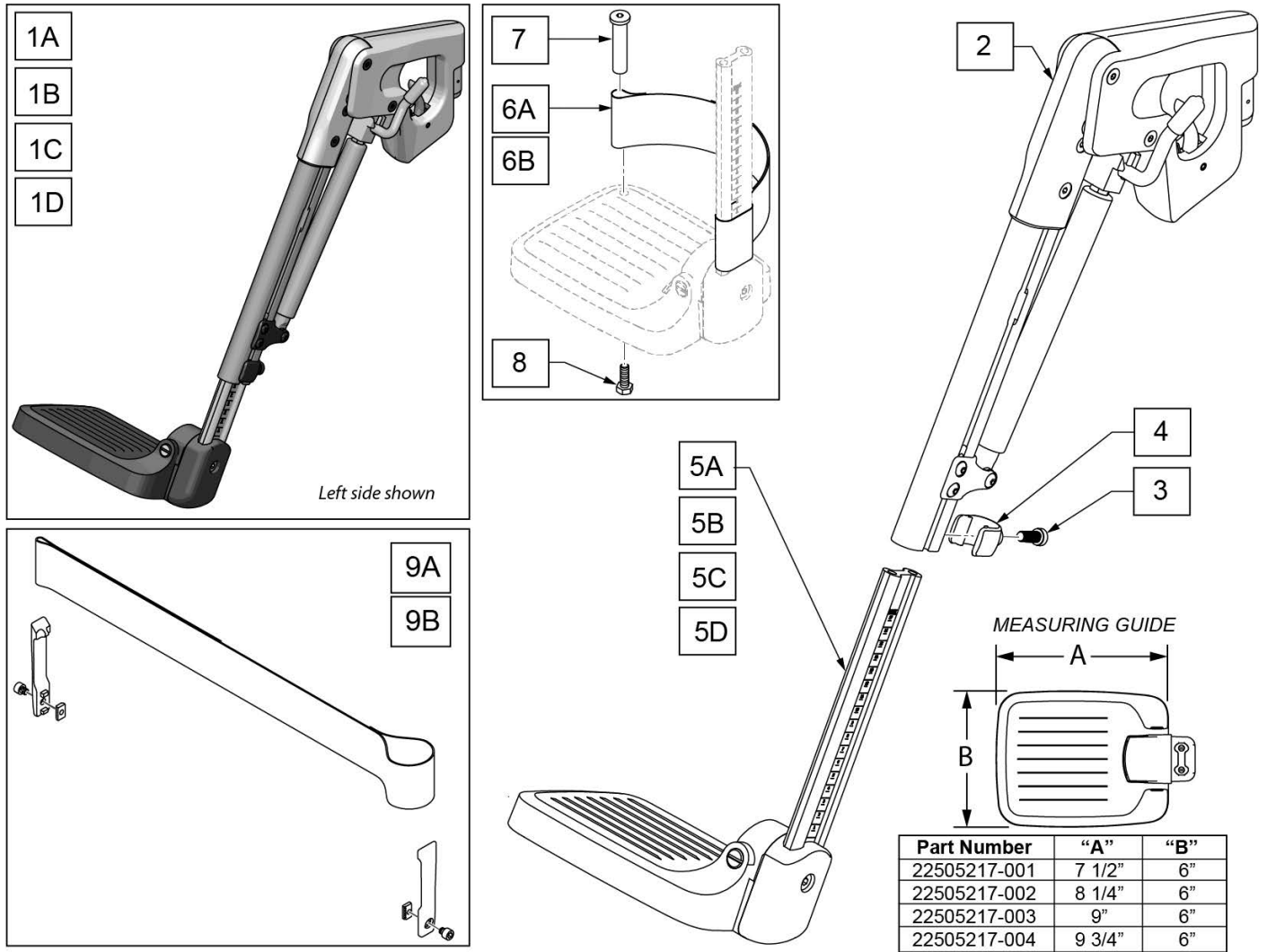


Pos.	Item Number	Description	Remarks
1A	163369	LEGREST 70 DEG 15-16 RH	
1A	163370	LEGREST 70 DEG 15-16 LH	
1B	163371	LEGREST 70 DEG 17-18 RH	

Pos.	Item Number	Description	Remarks
1B	163372	LEGREST 70 DEG 17-18 LH	
1C	163373	LEGREST 70 DEG 19-20 RH	
1C	163374	LEGREST 70 DEG 19-20 LH	
1D	163375	LEGREST 70 DEG 21-22 RH	
1D	163376	LEGREST 70 DEG 21-22 LH	
3	116576	SHCS,M8X1.25X20,FULL,NP	
4	6000933	ADJUST LEGREST HOLDER	
2-4	22505215-002	SA LEGREST FIXED RIGHT	Right
2-4	22505215-001	SA LEGREST FIXED LEFT	Left
5A	22505217-001	LOWER SHORT SW385-400MM	15-16"; Footplate & Ext Tube
5B	22505217-002	LOWER SHORT SW420-460MM	17-18"; Footplate & Ext Tube
5C	22505217-003	LOWER SHORT SW480-520MM	19-20"; Footplate & Ext Tube
5D	22505217-004	LOWER SHORT SW540-560MM	21-22"; Footplate & Ext Tube
6A	104380-003	ADJ FOOTREST STRAP 17-18W	16-18" Wide
6B	104380-004	ADJ FOOTREST STRAP 19-20W	19-22" Wide
7	104328	POST HEEL LOOP	
8	102268-001	HHCS M6 X 1 X 25 BLK	
9A	22505030-001	CALF STRAP ASSY SHORT	16-20" Wide
9B	22505030-002	CALF STRAP ASSY LONG	21-22" Wide

Note: optional Calf Pads sold separately; see PRO SWING AWAY CALF PADS & KNEE PAD parts page.

Note: when retrofitting ELR Legrests then Hanger Receivers are required; refer to PRO HANGER RECEIVER parts page.



Pos.	Item Number	Description	Remarks
1A	163378	SA MANUAL ELR 15-16 RH	Right; 15-16"
1A	163379	SA MANUAL ELR 15-16 LH	Left; 15-16"
1B	163380	SA MANUAL ELR17-18 RH	Right; 17-18"
1B	163381	SA MANUAL ELR 17-18 LH	Left; 17-18"
1C	163382	SA MANUAL ELR 19-20 RH	Right; 19-20"
1C	163383	SA MANUAL ELR 19-20 LH	Left; 19-20"
1D	163384	SA MANUAL ELR 21-22 RH	Right; 21-22"
1D	163385	SA MANUAL ELR 21-22 LH	Left; 21-22"
3	116576	SHCS, M8 X 1.25 X 20, FULL, NP	
4	6000933	ADJUST LEGREST HOLDER	
2-4	22505214-002	SA LEGREST MANUAL RIGHT	Right

Pos.	Item Number	Description	Remarks
2-4	22505214-001	SA LEGREST MANUAL LEFT	Left
5A	22505217-001	LOWER SHORT SW385-400MM	15-16"; Footplate & Ext Tube
5B	22505217-002	LOWER SHORT SW420-460MM	17-18"; Footplate & Ext Tube
5C	22505217-003	LOWER SHORT SW480-520MM	19-20"; Footplate & Ext Tube
5D	22505217-004	LOWER SHORT SW540-560MM	21-22"; Footplate & Ext Tube
6A	104380-003	ADJ FOOTREST STRAP 17-18W	16-18" Wide
6B	104380-004	ADJ FOOTREST STRAP 19-20W	19-22" Wide
7	104328	POST HEEL LOOP	
8	102268-001	HHCS M6 X 1 X 25 BLK	
9A	22505030-001	CALF STRAP ASSY SHORT	16-20" Wide
9B	22505030-002	CALF STRAP ASSY LONG	21-22" Wide

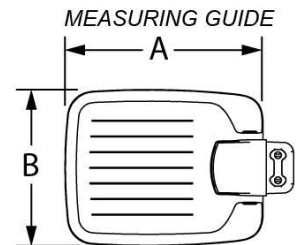
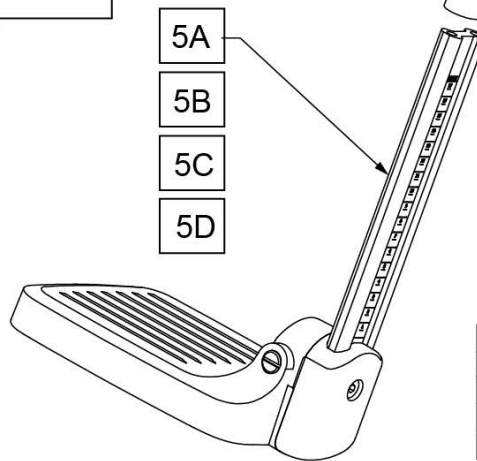
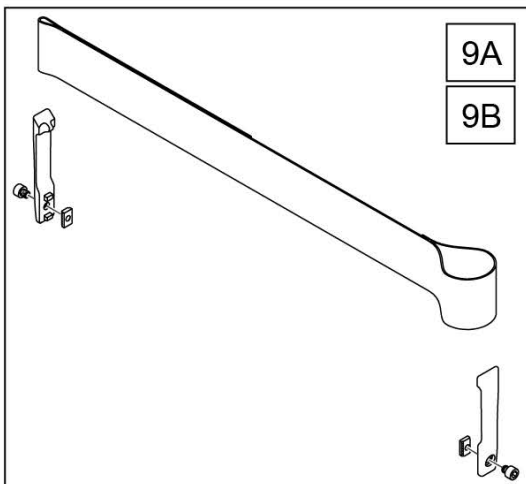
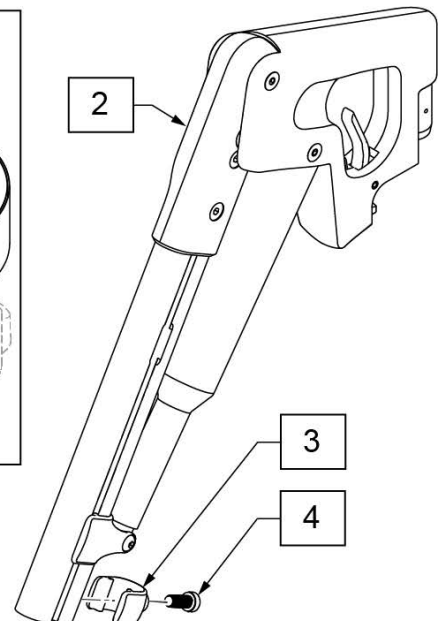
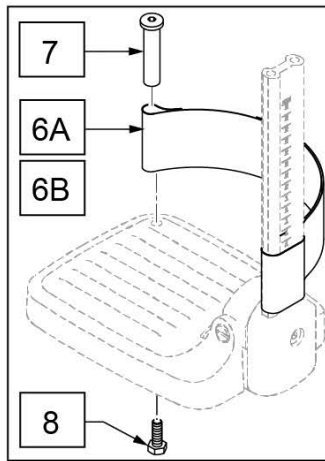
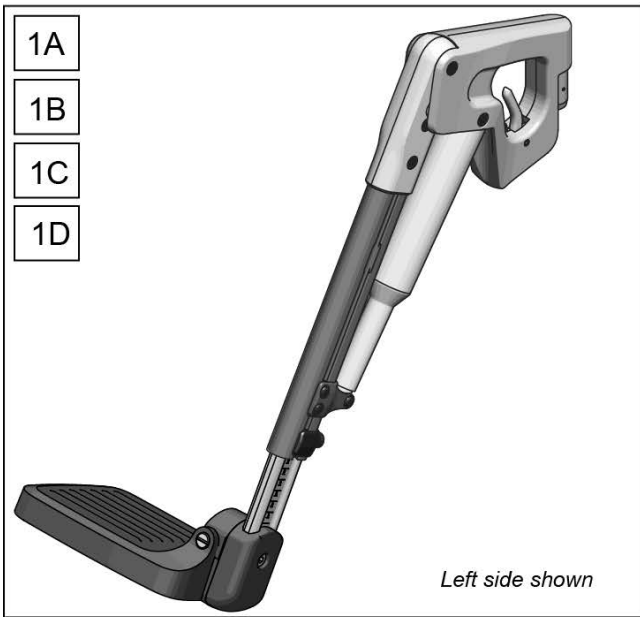
Note: optional Calf Pads sold separately; see PRO SWING AWAY CALF PADS & KNEE PAD parts page.

Note: Actuator not sold separately, order SA LEGREST POWERED RIGHT or LEFT.

Note: when retrofitting ELR Legrests then Hanger Receivers are required; refer to PRO HANGER RECEIVER parts page.

Note: if retrofitting from Manual S/A Hangers to Power S/A ELR's, Legrest Harnesses are required; refer to WIRING Q700M PRO parts page to order qty 2 each of p/n's 22511004 & 22511005.

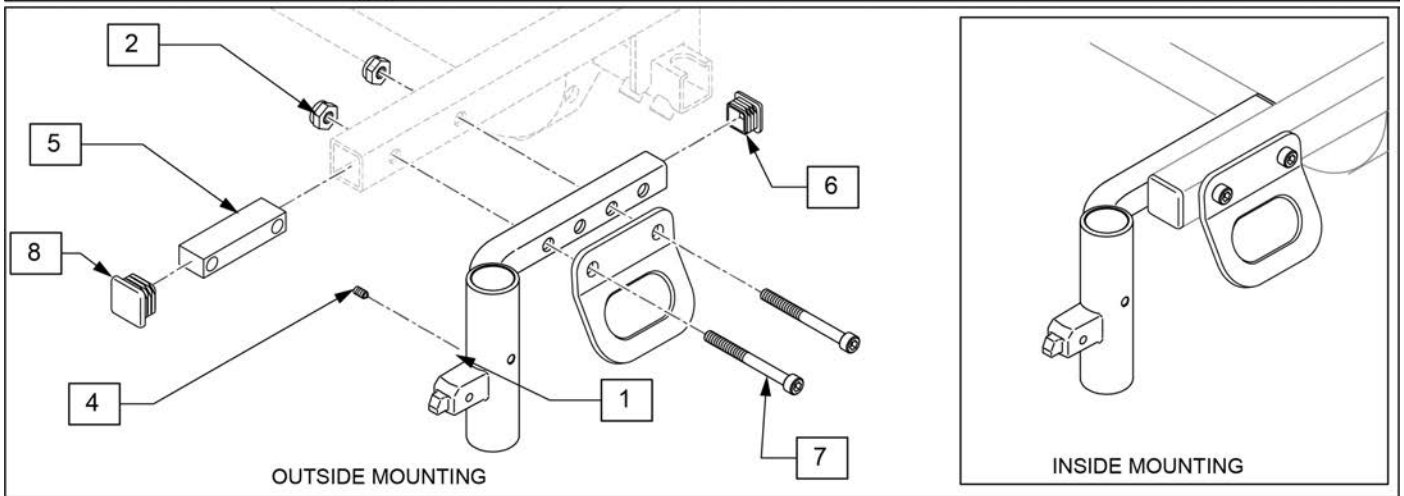
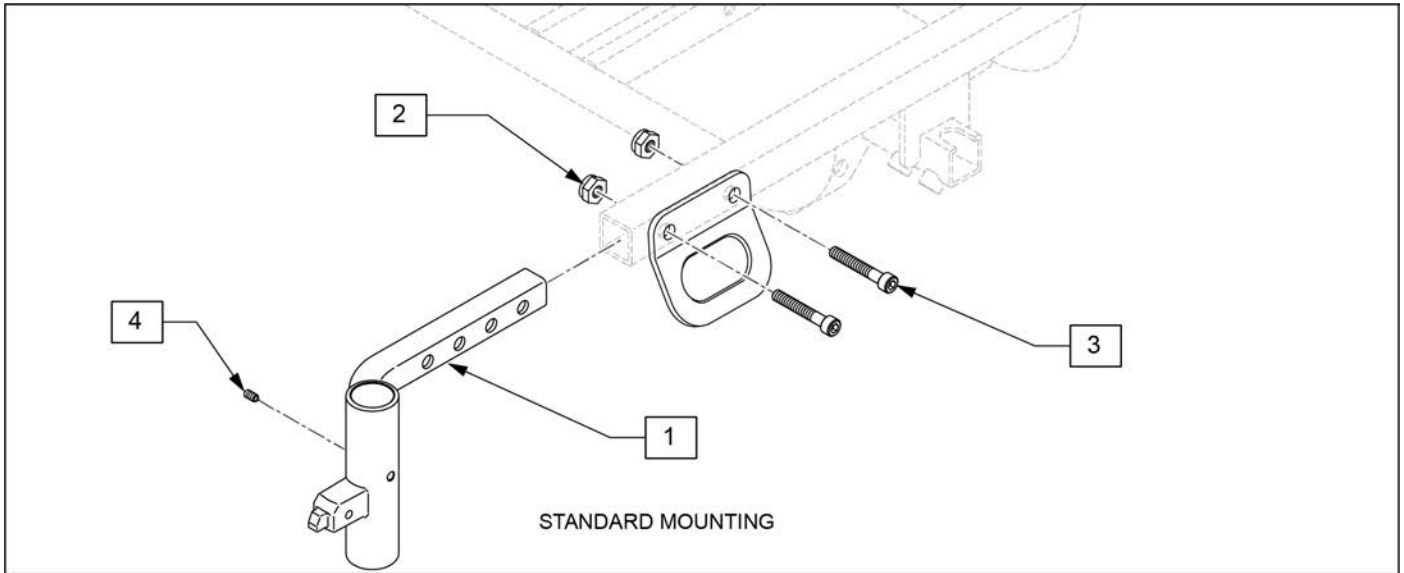
Note: If adding or changing Power Legrest options on a chair with Power Recline please also see Wiring Q700M Pro parts page for replacement recline actuator harnessing.



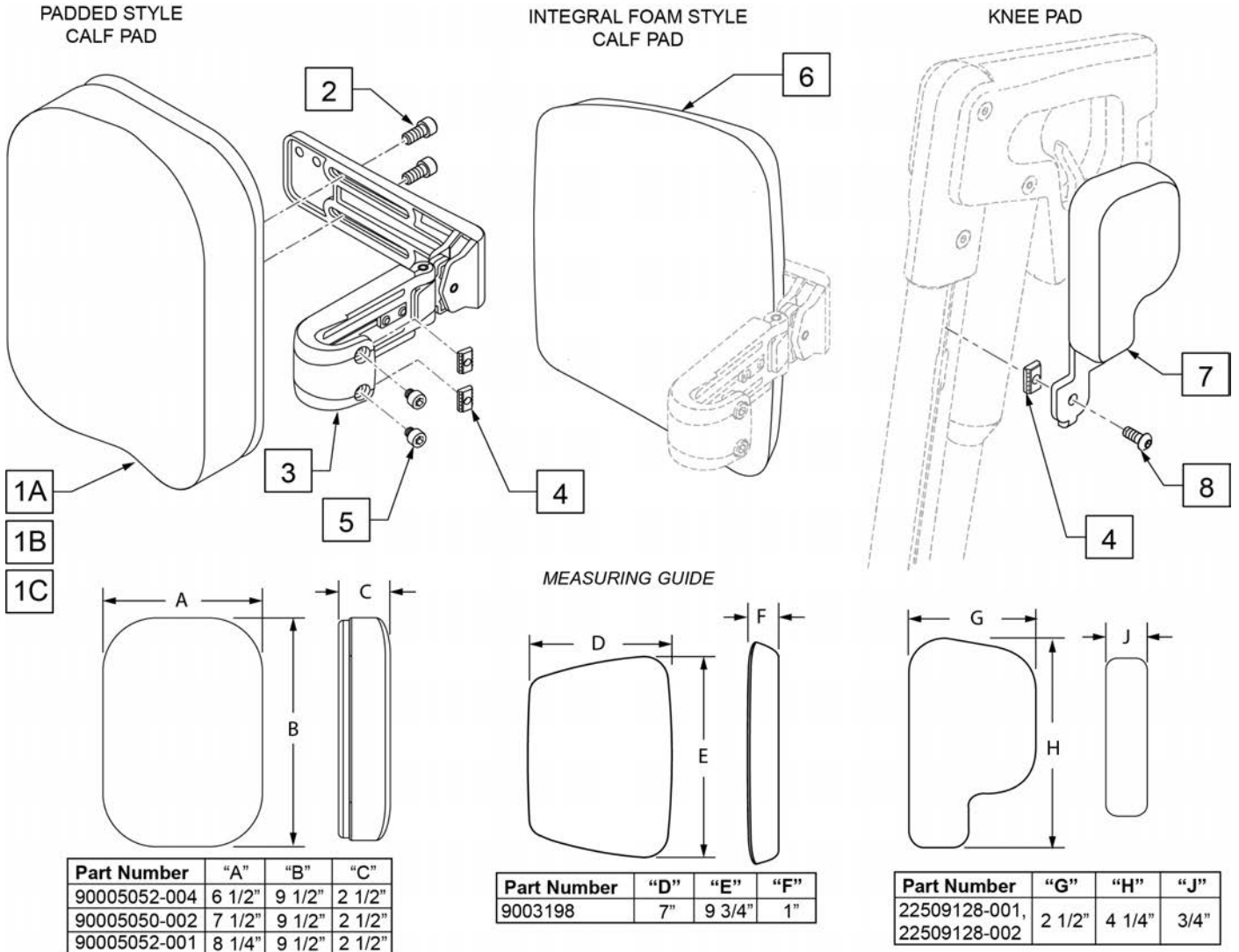
Part Number	"A"	"B"
22505217-001	7 1/2"	6"
22505217-002	8 1/4"	6"
22505217-003	9"	6"
22505217-004	9 3/4"	6"

Pos.	Item Number	Description	Remarks
1A	163386	SA POWER ELR 15-16 RH	Right; 15-16"
1A	163387	SA POWER ELR 15-16 LH	Left; 15-16"
1B	163388	SA POWER ELR17-18 RH	Right; 17-18"
1B	163389	SA POWER ELR 17-18 LH	Left; 17-18"
1C	163390	SA POWER ELR 19-20 RH	Right; 19-20"
1C	163391	SA POWER ELR 19-20 LH	Left; 19-20"
1D	163392	SA POWER ELR 21-22 RH	Right; 21-22"
1D	163393	SA POWER ELR 21-22 LH	Left; 21-22"
3	6000933	ADJUST LEGREST HOLDER	
4	116576	SHCS, M8 X 1.25 X 20, FULL, NP	
2-4	22505216-002	SA LEGREST POWERED RIGHT	Right
2-4	22505216-001	SA LEGREST POWERED LEFT	Left
5A	22505217-001	LOWER SHORT SW385-400MM	15-16"; Footplate & Ext Tube
5B	22505217-002	LOWER SHORT SW420-460MM	17-18"; Footplate & Ext Tube
5C	22505217-003	LOWER SHORT SW480-520MM	19-20"; Footplate & Ext Tube
5D	22505217-004	LOWER SHORT SW540-560MM	21-22"; Footplate & Ext Tube
6A	104380-003	ADJ FOOTREST STRAP 17-18W	16-18' Wide
6B	104380-004	ADJ FOOTREST STRAP 19-20W	19-22" Wide
7	104328	POST HEEL LOOP	

Pos.	Item Number	Description	Remarks
8	102268-001	HHCS M6 X 1 X 25 BLK	
9A	22505030-001	CALF STRAP ASSY SHORT	16-20" Wide
9B	22505030-002	CALF STRAP ASSY LONG	21-22" Wide



Pos.	Item Number	Description	Remarks
1,4	168409	HANGER RECEIVER RH REHAB	Right
1,4	168410	HANGER RECEIVER LH REHAB	Left
2,3	168461	Q2R SEAT PAN HDW KIT	Includes hardware to mount front bracket
2,5-8	168724	FOOTREST IN / OUT KIT	
4	255564	M6X12 NYLON SET SCREW	
6,8	168723	FOOTREST IN / OUT CAP KIT	Pair

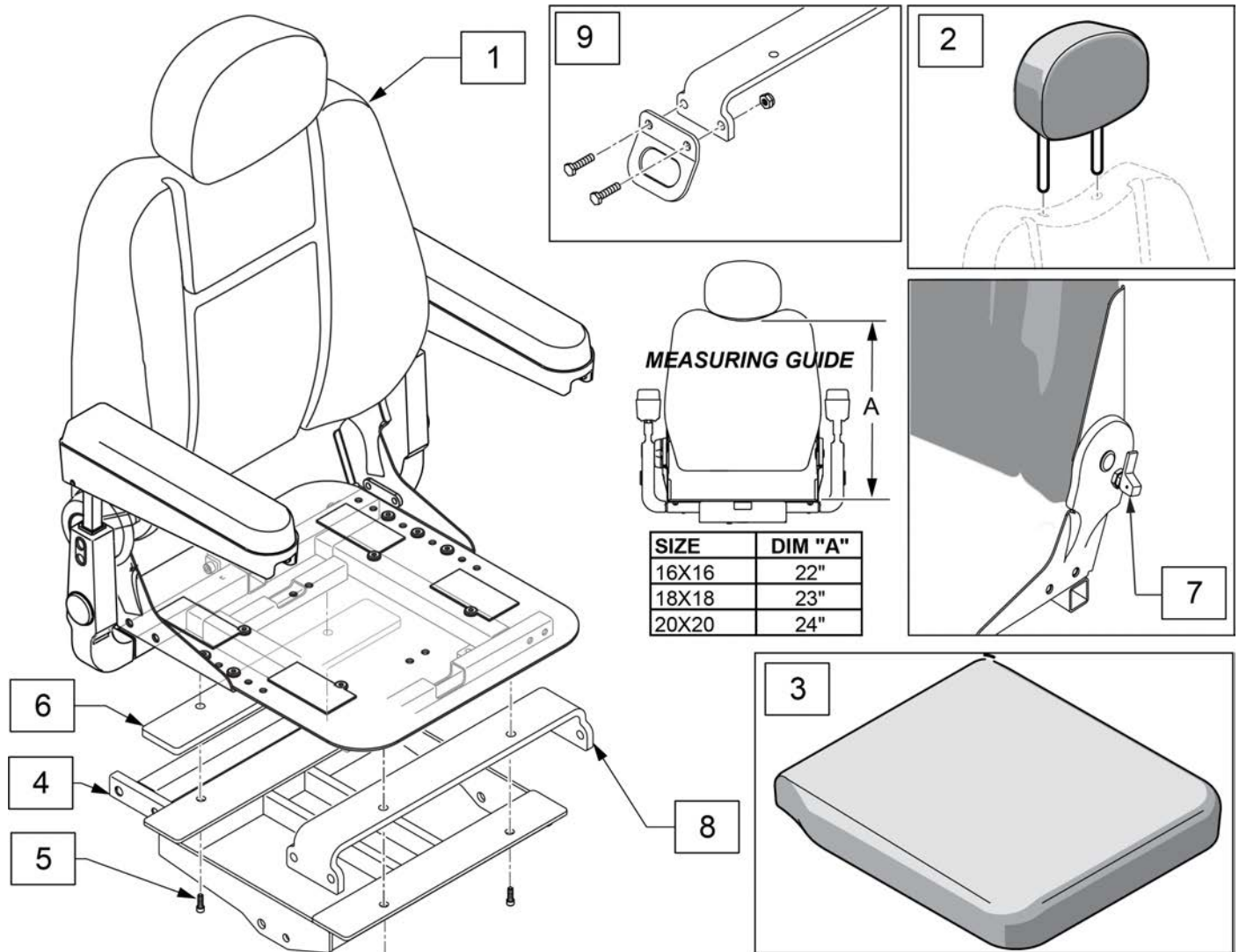


Pos.	Item Number	Description	Remarks
1A	90005052-004	UPH CALFPLATE LRG SET SW 38-42	15-16" width; Padded style
1B	90005050-002	UPH CALFPLATE LRG SET SW 44-50	17-20" width; Padded style
1C	90005052-001	UPH CALFPLATE LRG SET SW 54-58	21-22" width; Padded style
2	103132	SHCS, M6 X 1 X 10, FULL, PL	
3-5	9010160	CALF PAD BRACKET ASSY	
6	9003198	CALF PLATE FOAM	18-22"; Integral Foam style
2-6	9010430	CALF PLATE PU WITH DEPTH ADJ	18-22"; Integral Foam style
1A-5	163403	UPH CALF PAD ASSM 15-16	15-16" width; Padded style
1B-5	163404	UPH CALF PAD ASSM 17-20	17-20" width; Padded style
1C-5	163405	UPH CALF PAD ASSM 21-22	21-22" width; Padded style
7-9	22509128-002	KNEE CUSHION RH	Right
7-9	22509128-001	KNEE CUSHION LH	Left
4	6000994	CASTED CLAMP STRIP	
5	000102500-014	SHCS M6X1X6 ZN 8.8 PL	

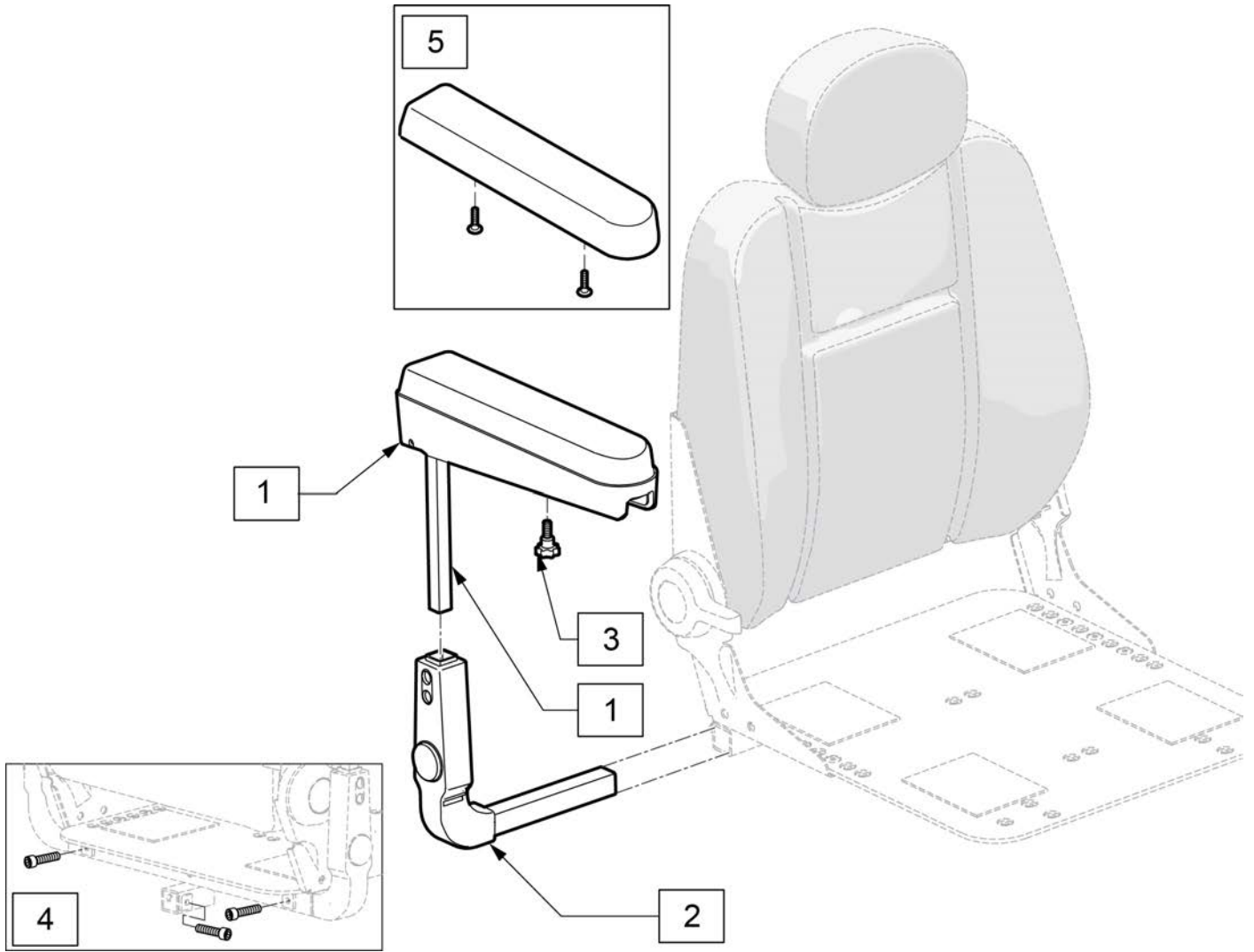
[07/19/2019]

Note: Padded Style Calf Pad is standard on-chair option for Manual & Power ELR's.

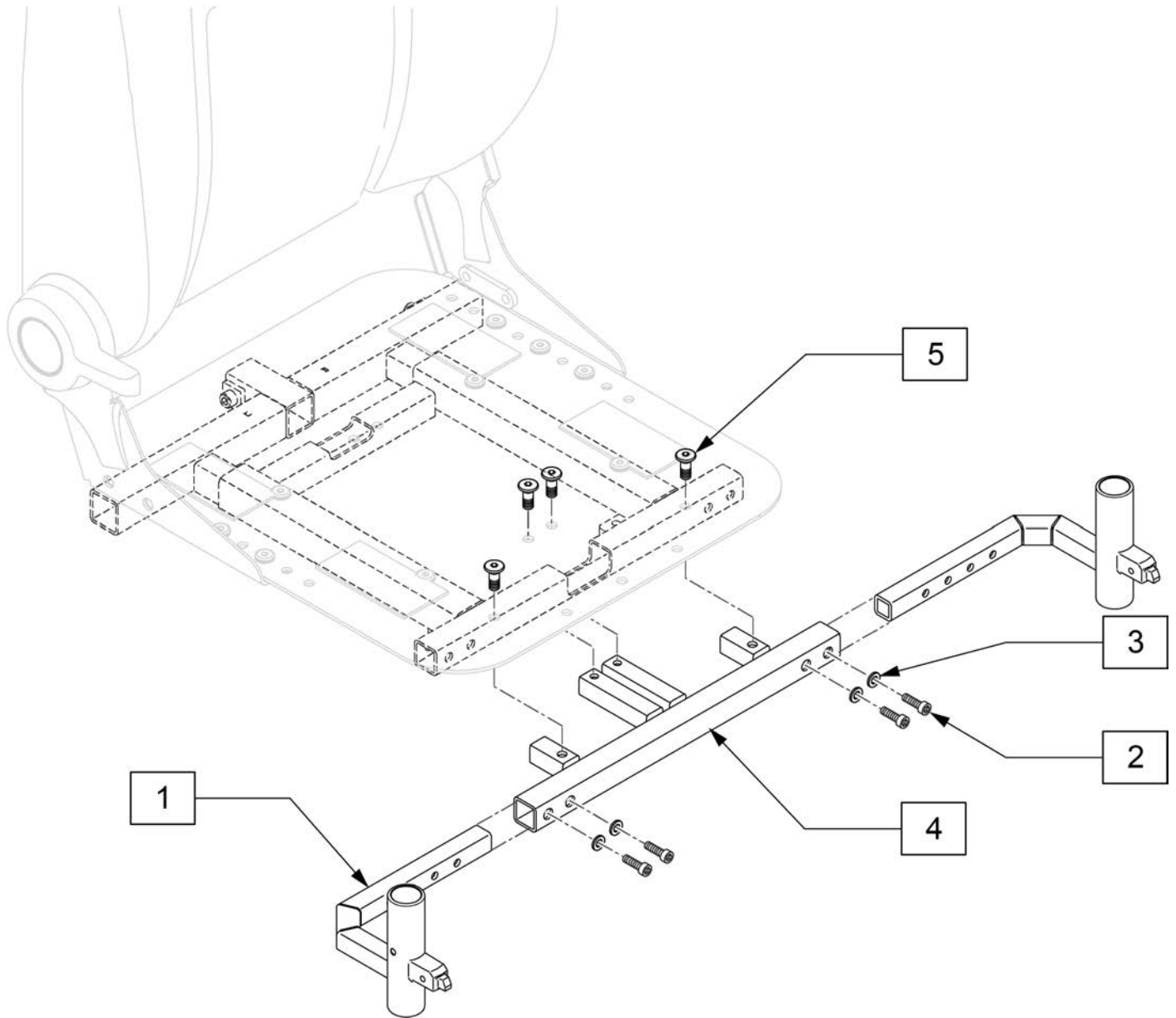
Note: Captains Seat has 3" of depth adjustment in 1" increments.



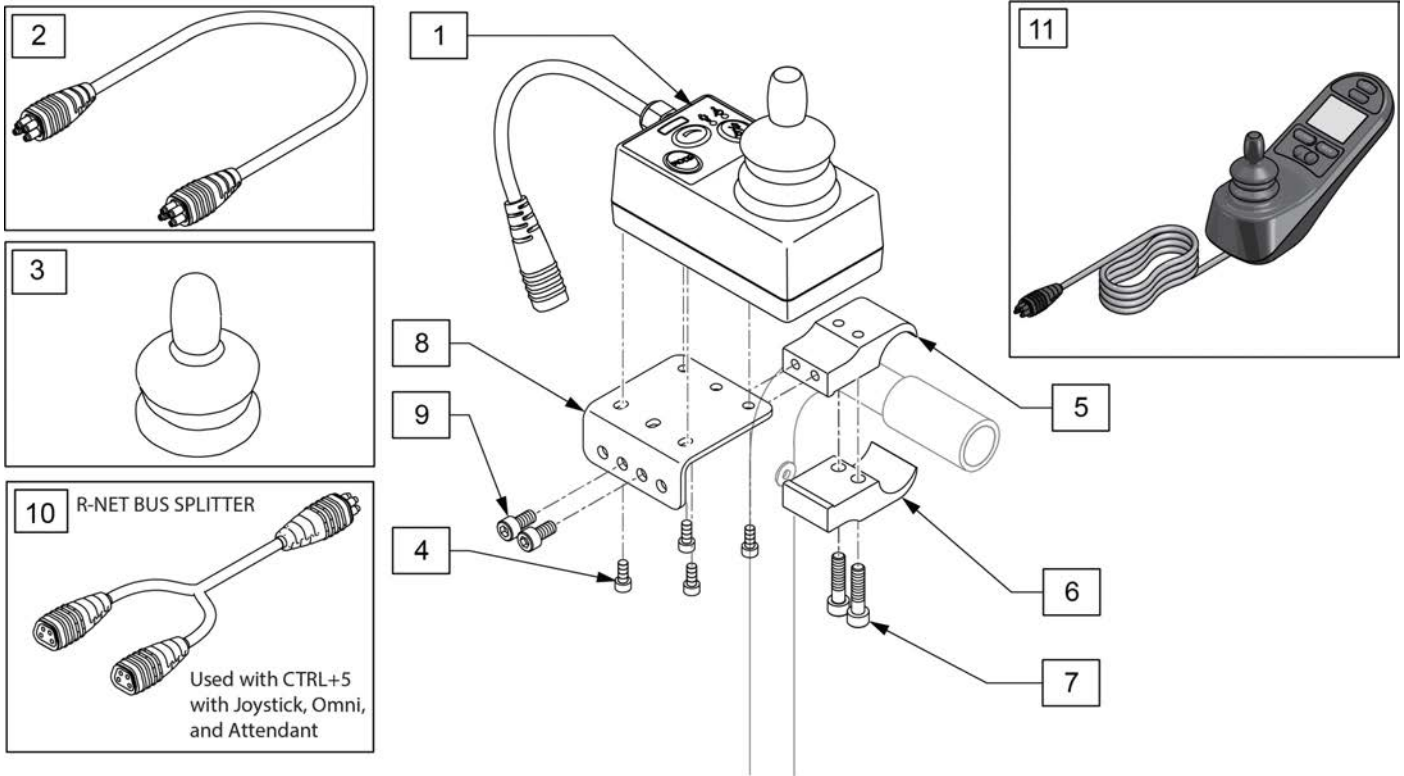
Pos.	Item Number	Description	Remarks
1	248970	CPT SEAT TRANSIT 16" W	Does not include Transit Brackets
1	248971	CAPT SEAT TRANSIT 18W	Does not include Transit Brackets
1	248972	CAPT SEAT TRANSIT 20W	Does not include Transit Brackets
2	119966	HEADREST CAPTAIN SEAT	Replacement Headrest
3	118494	CAPTAIN SEAT CUSHION 16X16 BLACK ASSY	
3	118495	CAPTAIN SEAT CUSHION 18X18 BLACK ASSY	
3	118496	CAPTAIN SEAT CUSHION 20X20 BLACK ASSY	
5	055028	SHCSM8X1.25X25FULLPL	
7	120635	LOCKING PIN ASSY	
6,8,9	168460	Q2R SEAT PAN HDW KIT	



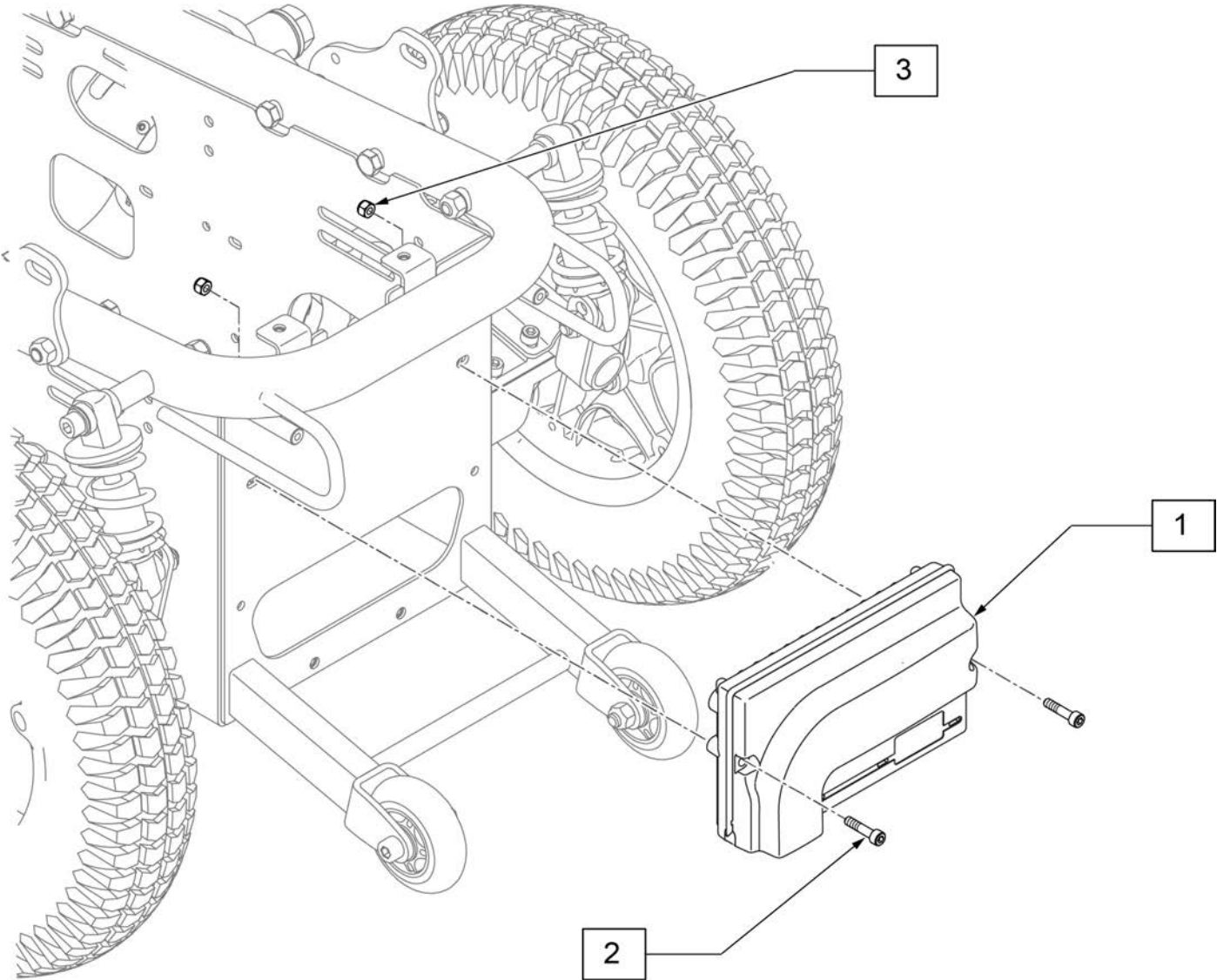
Pos.	Item Number	Description	Remarks
2	119329	ARMREST RECEIVER ASSEMBLY	For Right or Left
3	117994	THUMB SCREW M8 X 1.25	
4	116389	SHCS,M8X1.25X10,FULL,PL	
5	119326	ARMREST PAD W/ HARDWARE	
1,3	121069	CPT SEAT ARMREST ASSY SHRT	1 knob included



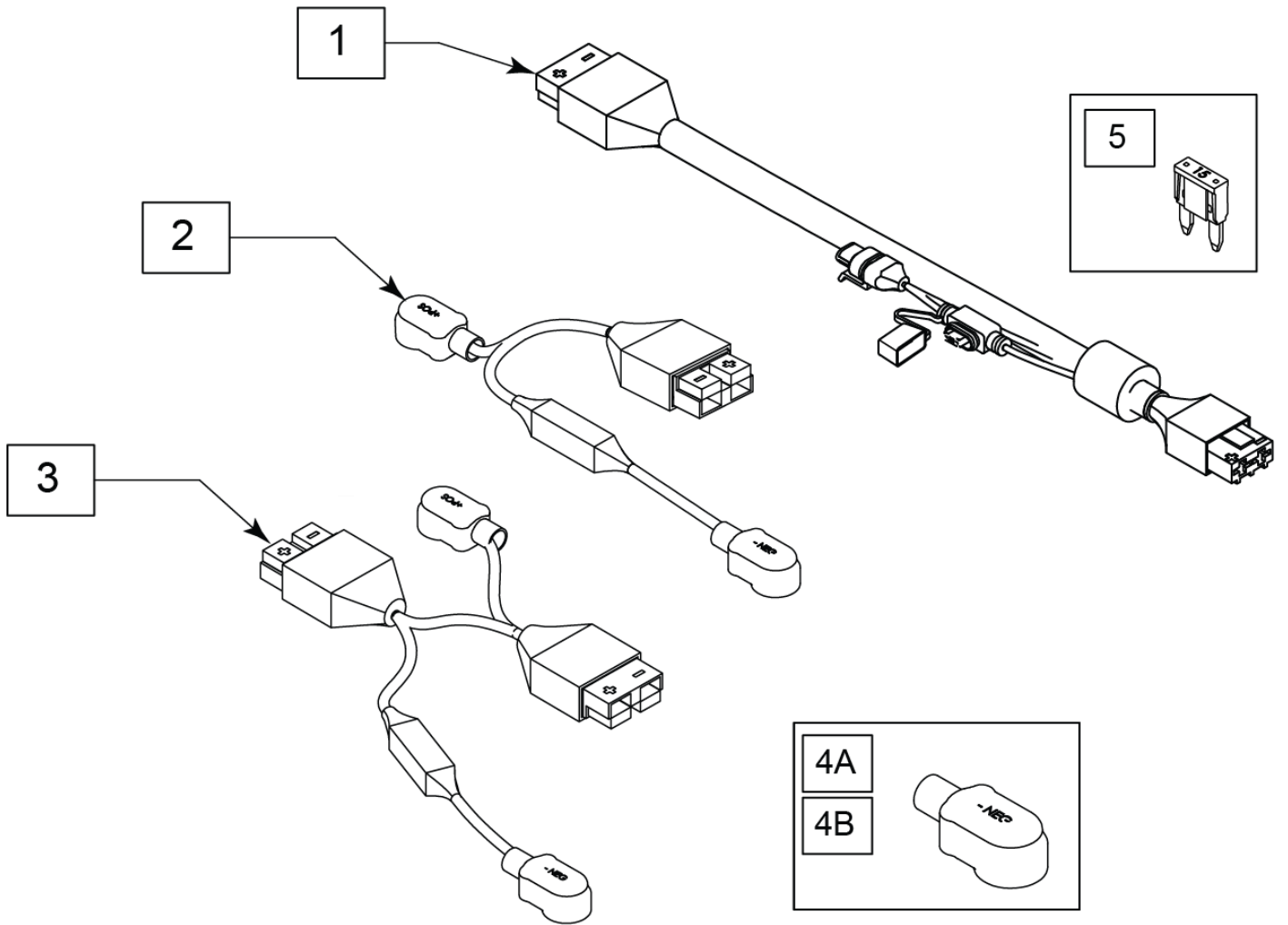
Pos.	Item Number	Description
1-3	168412	HANGER RECEIVER RH CAPTAIN
1-3	168413	HANGER RECEIVER LH CAPTAIN
2,3	168414	HANGER HDW REC CAPTAIN
4	255890	CPTN LEG RECIEVER MNT WLDMNT
2,3,5	169039	CPTN S/A MNT HDW
1-5	169040	CPTN S/A REC ASSY COMP



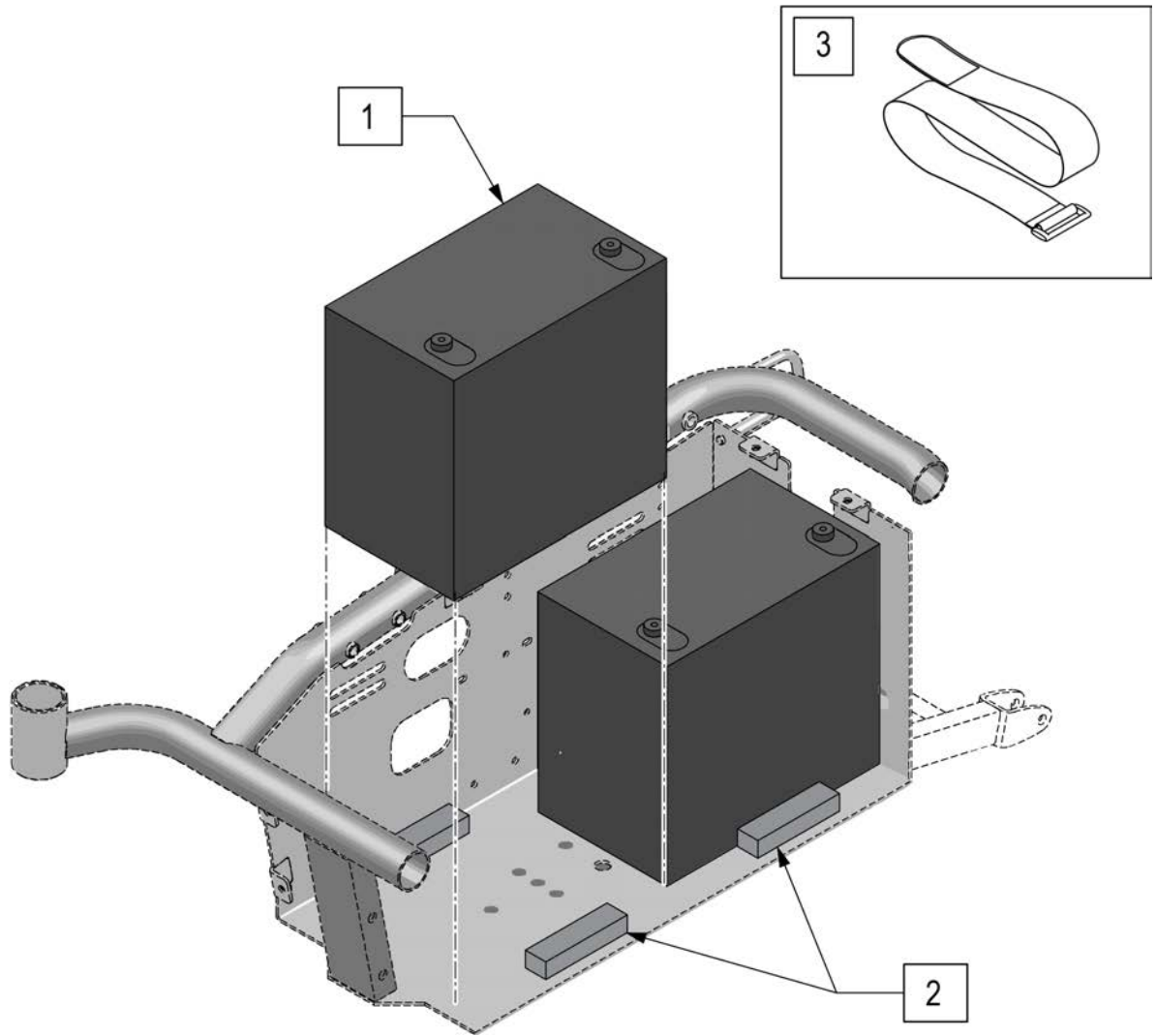
Pos.	Item Number	Description	Remarks
1-3	110845	RNET ATTENDANT JOYSTICK	RNET ATTENDANT JOYSTICK
2	108316-050	HARNESS R-NET BUS 500MM	RNET ATTENDANT JOYSTICK
3	138169	VSI JOYSTICK HANDLE	
4,7,9	158698	ATTENDANT CNTRL MNT FASTENERS	
5-9	131268	UNIV ATTDNT CNTRL MNT .875"	
10	130803	HARN, RNET BUS SPLITTER	
11	131263	JYSTCK CJSM LONG LEAD	



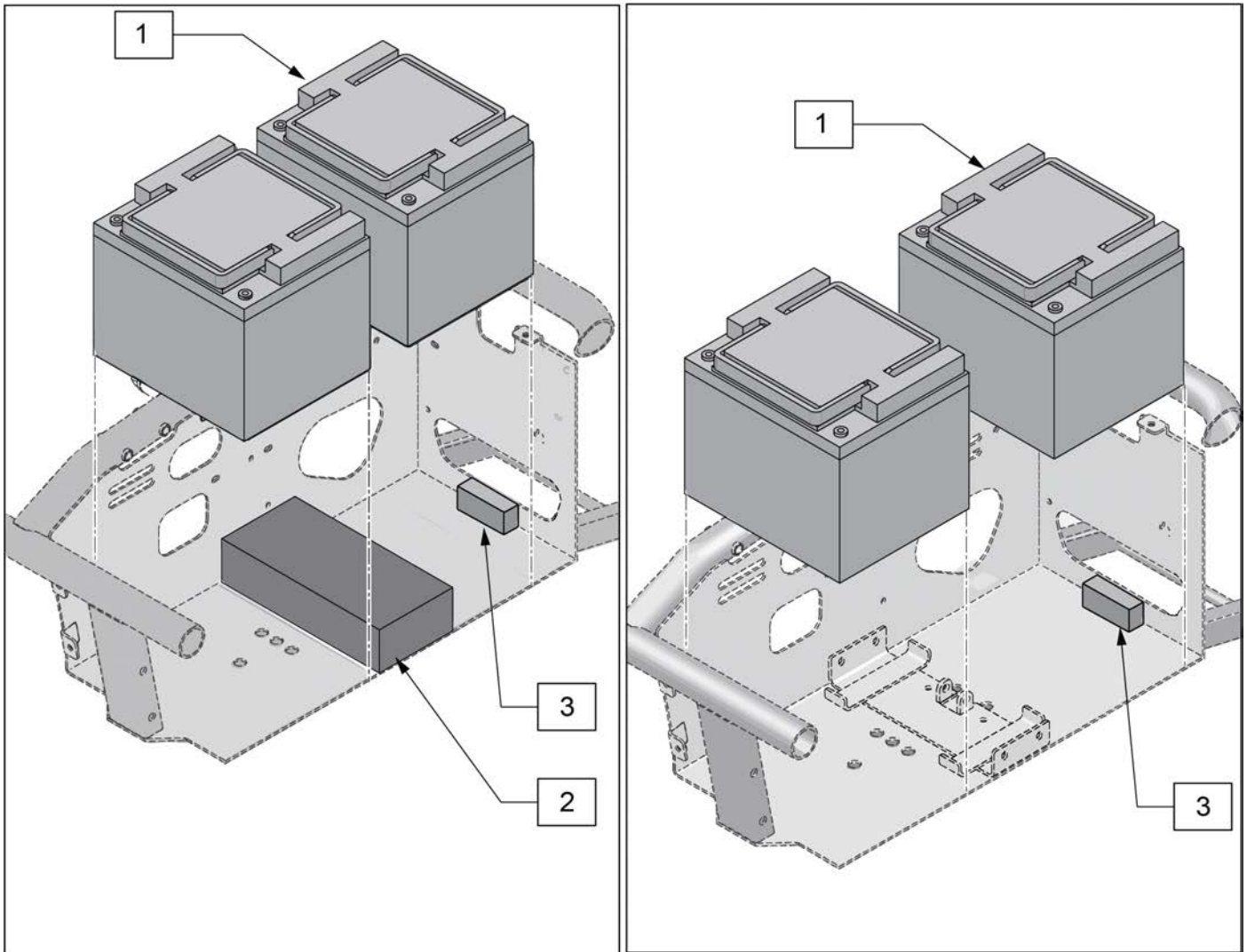
Pos.	Item Number	Description
1	168345	CTRL 2P Q2R TD TILT
1	168344	CTRL 2P Q2R DRV ONLY
1	108219	CNTRL EL PM90
2,3	168726	CONTROLLER FASTENER KIT



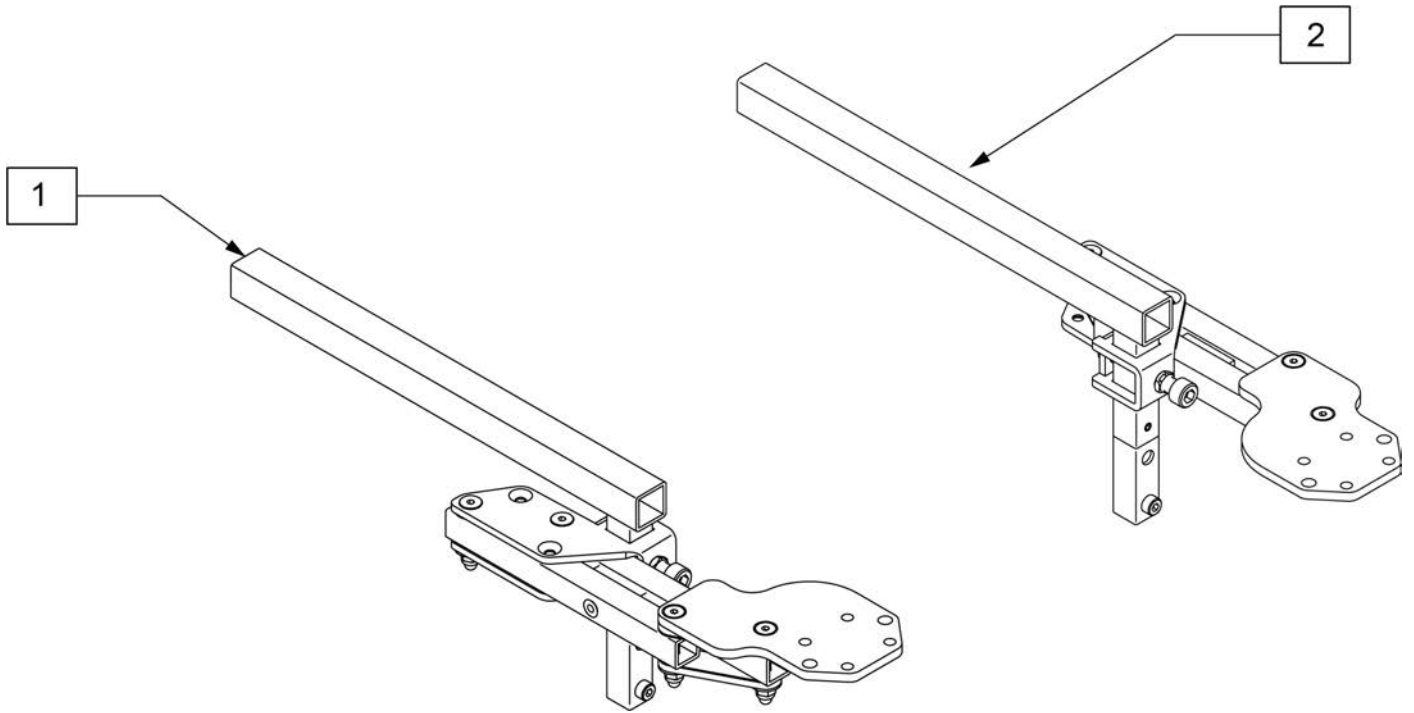
Pos.	Item Number	Description	Remarks
1-3	164136	BATTERY HARN 100A KIT	
4A	247543	HARNESS BOOT POS	Red
4B	247544	HARNESS BOOT NEG	Black
5	249005	15A MINI FUSE	



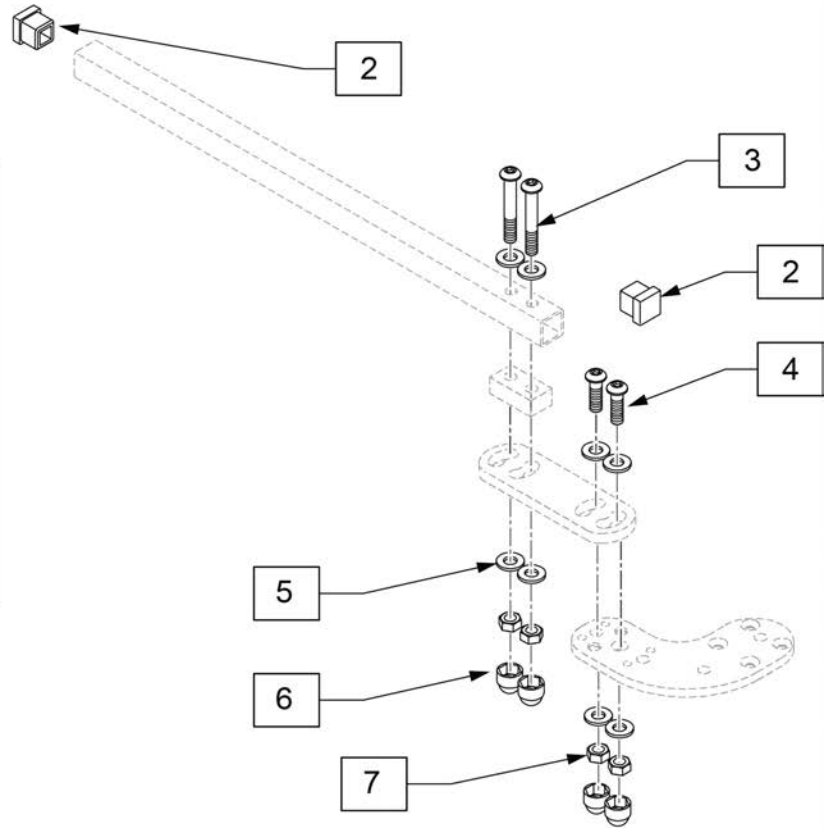
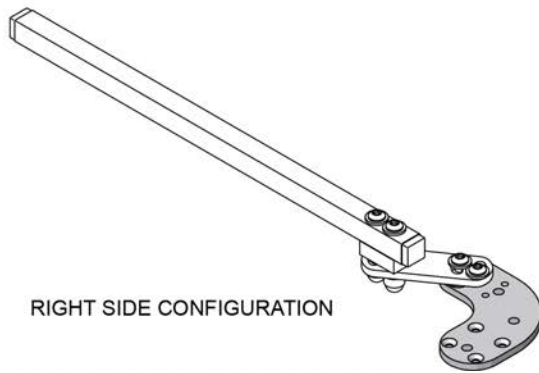
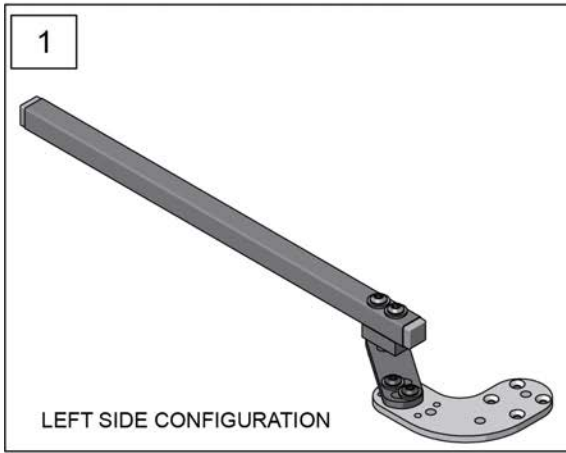
Pos.	Item Number	Description
1	244624	BRIGHT WAY GROUP 22 BATTERY
2	169035	1"X.75"X4" FOAM W/ADHESIVE
3	255620	18"X2" HOOK/LOOP STRAP
2,3	168727	BATTERY SPACERS W/ STRAPS



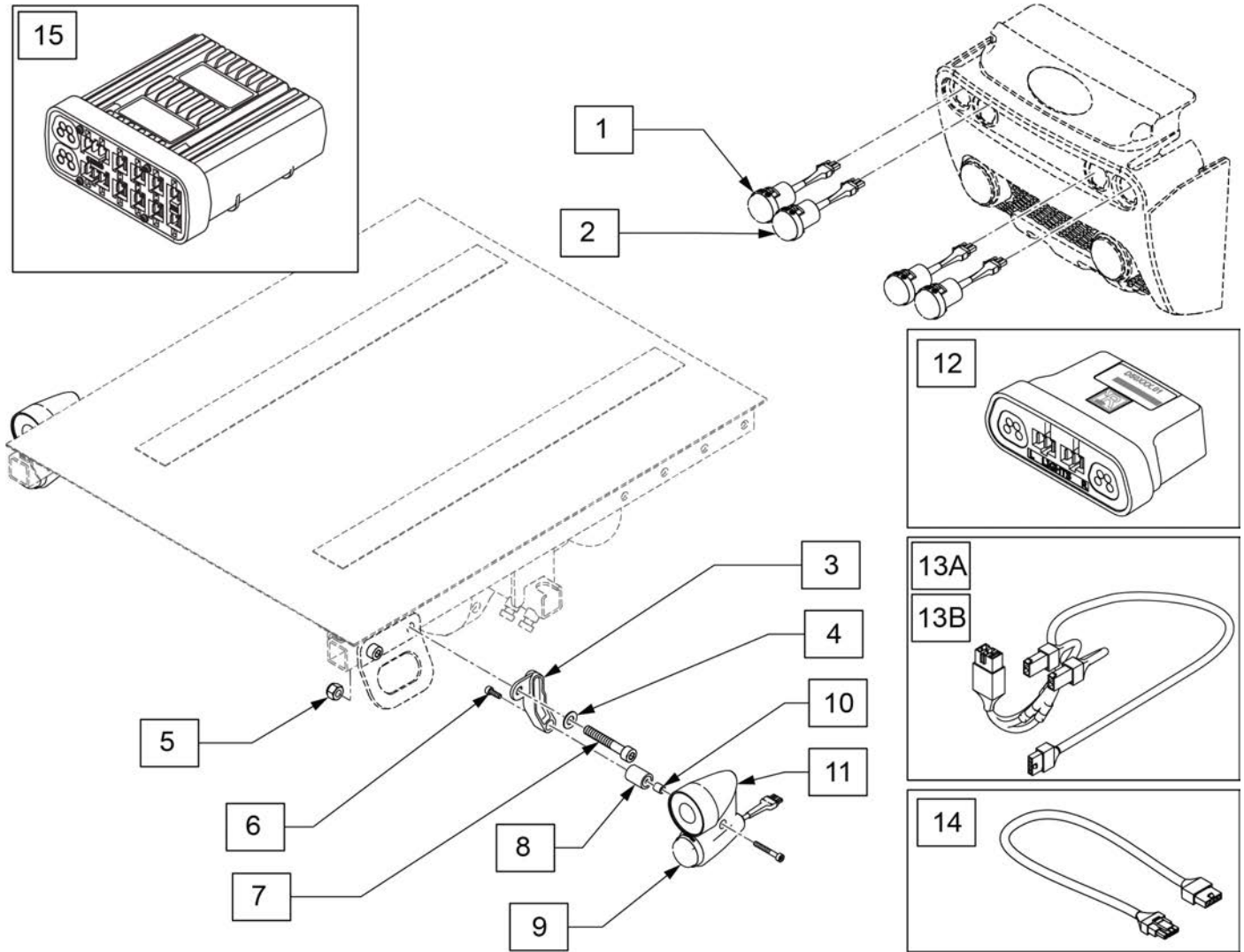
Pos.	Item Number	Description	Remarks
1	253285	Battery 50Ah MK	AGM
2	255622	210X108X50mm BATT SPACER	Without Tilt
3	255636	1"X.75"X4" RUBBER W/ADHESIVE	rear battery bumper



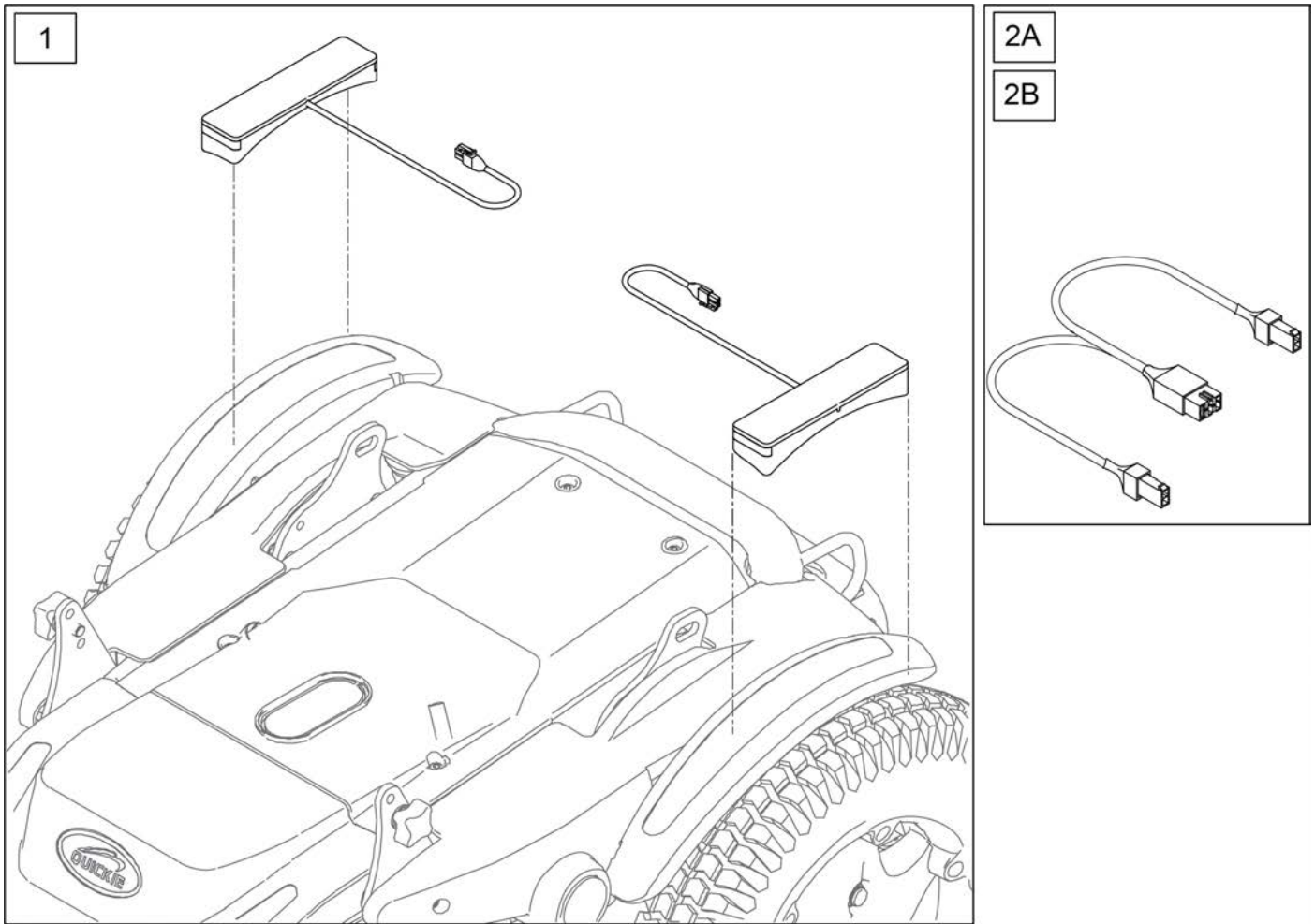
Pos.	Item Number	Description
1	20009150-002	Swing away mount RH
2	20009150-001	Swing Away Mount LH



Pos.	Item Number	Description	Remarks
1	21009083-002	FIXED CTRL MOUNT RH COMPACT - MINI JOYSTICK	Right
1	21009083-001	FIXED CTRL MOUNT LH COMPACT - MINI JOYSTICK	Left
2	561149	PLUG SQR TUBE 5/8 X .083	
3-7	164261	LITE FIXED JS MNT HARDWARE	



Pos.	Item Number	Description
1	21509003-001	LIGHT ASSEMBLY REAR LIGHT
2	21509003-002	LIGHT ASSEMBLY INDICATOR
3	22609003	FRONT LIGHT BRACKET, Q200R
6	000102158	SHCS ISO4762 M4X30 A2-70 NP
11	243298	FRONT LIGHT ASSY LH
11	243301	FRONT LIGHT ASSY RH
6,8-11	22611005	FRONT LIGHT SPARES Q200R
3-11	168417	Q2R FRNT LIGHT AND MNT
3-5,7	168416	Q2R FRONT LIGHT MNT
12	241648	RNET LIGHT MODULE
13A	244585	ISML HARNESS
13B	244584	LIGHT MODULE HARNESS
14	255647	HARN, LIGHT EXT 800mm
15	120627	MODULE INTEL SEATING W/ LIGHTS



Pos.	Item Number	Description	Remarks
1	20011248-001	FENDER LIGHTS	LH
1	20011248-002	FENDER LIGHTS	RH
2A	20011250-001	ISML HARNESS FENDER LIGHT	used with ISML
2B	20011250-002	LM HARNESS FENDER LIGHT	used with Lights Module