

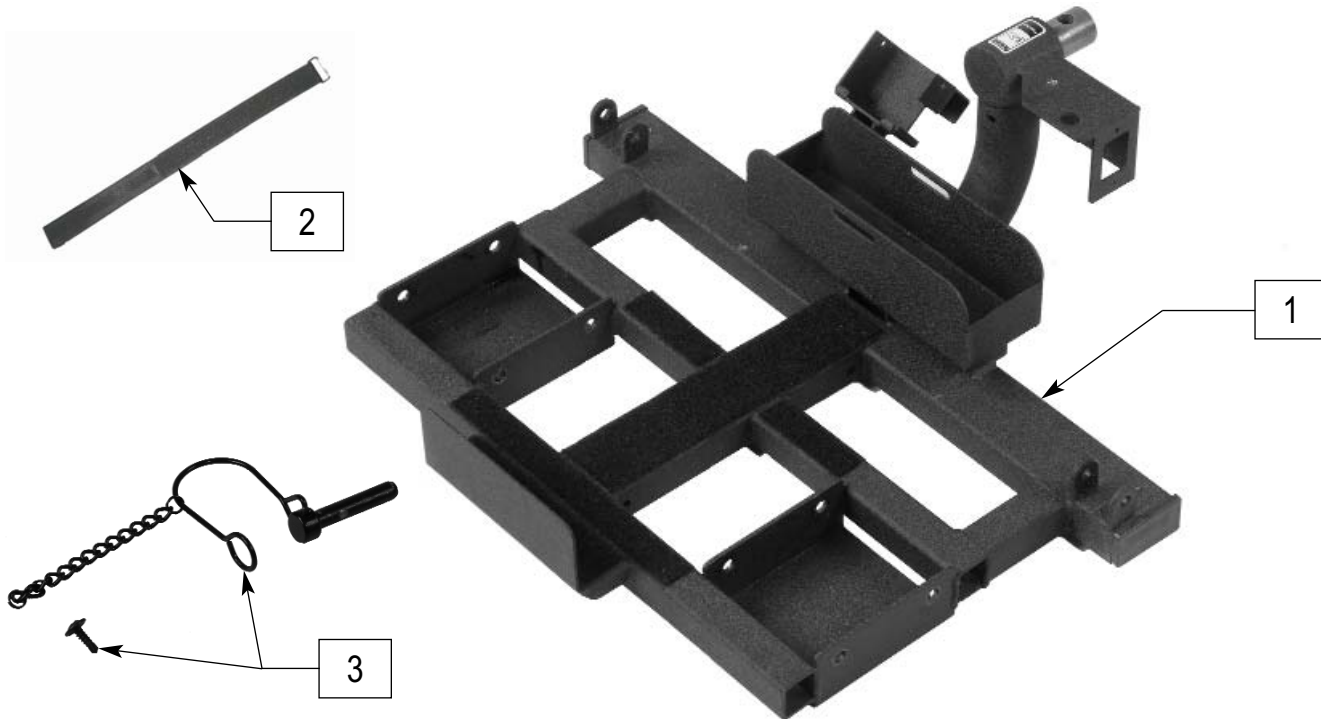
QUICKIE S11

IN THIS SECTION

Base Frame Bottom.....	1.1	Motors	1.10
Base Frame Top	1.1	Seat and Headrest	1.11
Rear Swing-Arm	1.2	Drive Wheels	1.12
Seat Posts and Hardware	1.2	VSI Integral Joystick	1.12
Seat Frame	1.3	Controller Mount	1.13
Charger Shroud	1.3	Wiring	1.14
Battery Cover	1.4	Battery Assemblies	1.15
Fenders.....	1.4	Battery Charger	1.15
Flip Back Armrest.....	1.5	Oxygen Holder	1.16
Height Adjustable Flip Back Armrest	1.6	Crutch Holder	1.16
Caster and Fork	1.7	Walker Holder	1.16
Footplate	1.8	Basket and Mount Hardware	1.17
Front Frame Hangers	1.9	Seat Belt	1.17
Elevating Legrest	1.9	Qtronix Programmer	1.17



BASE FRAME BOTTOM

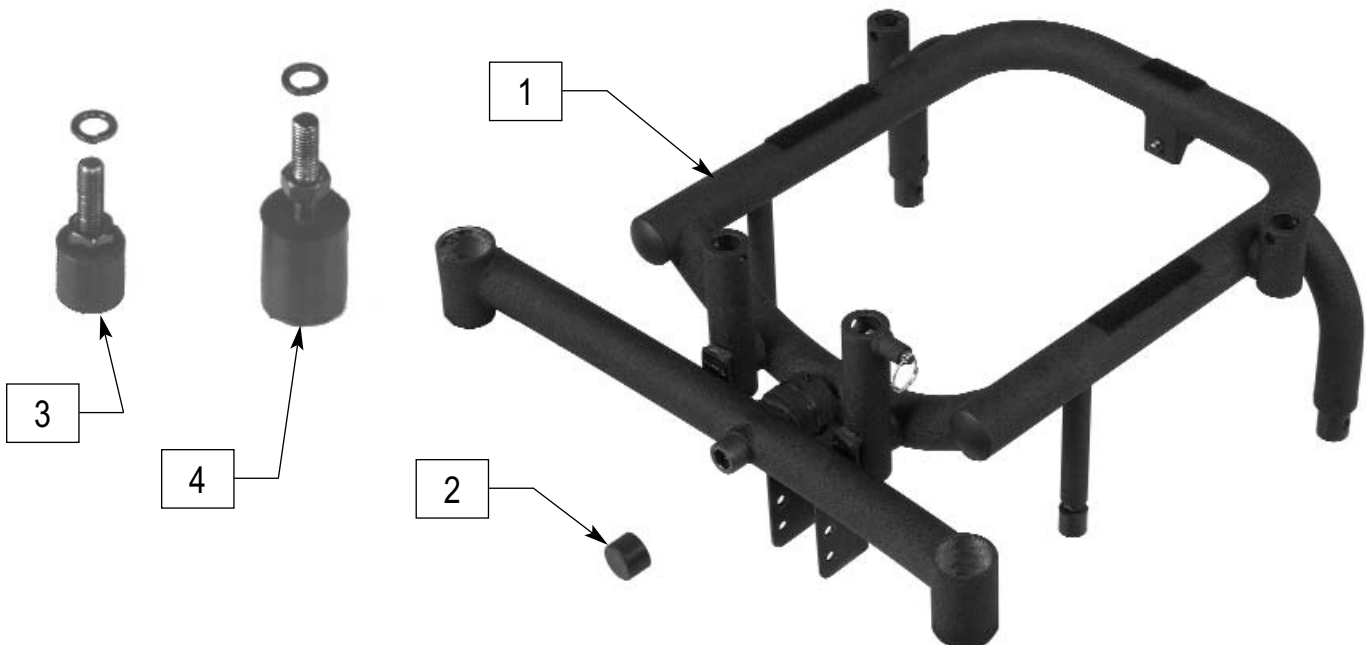


S11X17

ITEM	NUMBER	DESCRIPTION	QTY
1	887540	BASE FRAME BOTTOM	1
2	740190	CHARGER STRAP S11	1

ITEM	NUMBER	DESCRIPTION	QTY
3	138344	QUICK RELEASE PIN W/CHAIN	2

BASE FRAME TOP

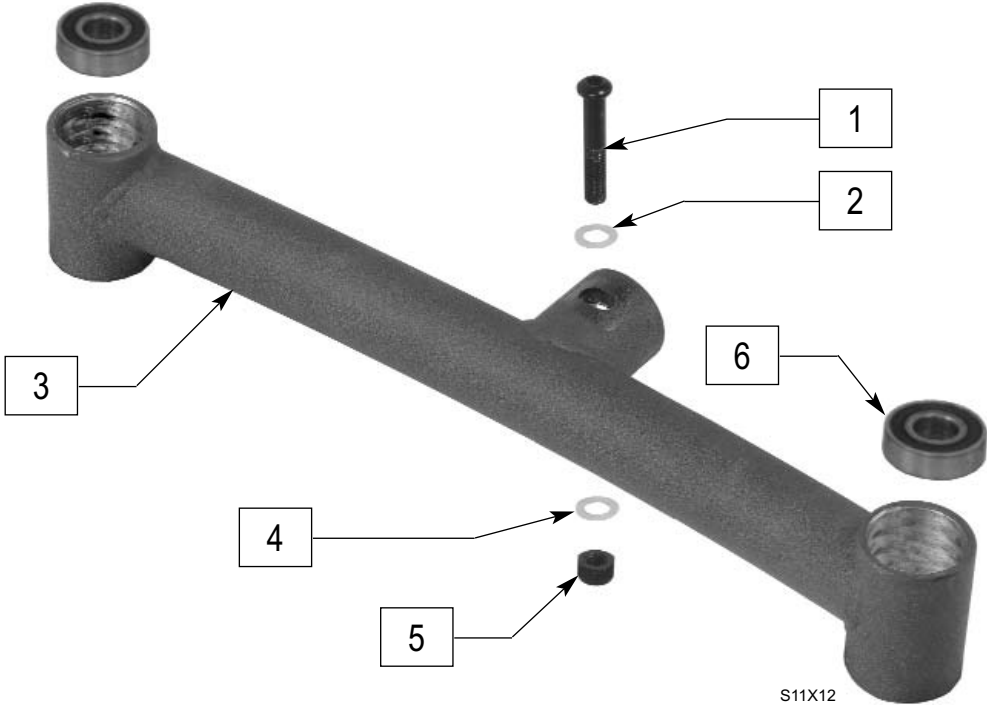


S11X15

ITEM	NUMBER	DESCRIPTION	QTY
1,2	887541	BASE TOP W/FRONT CASTER ARM	1
3	330189	SUSPENSION STOPPER FRONT	1

ITEM	NUMBER	DESCRIPTION	QTY
4	330190	SUSPENSION STOPPER REAR	1

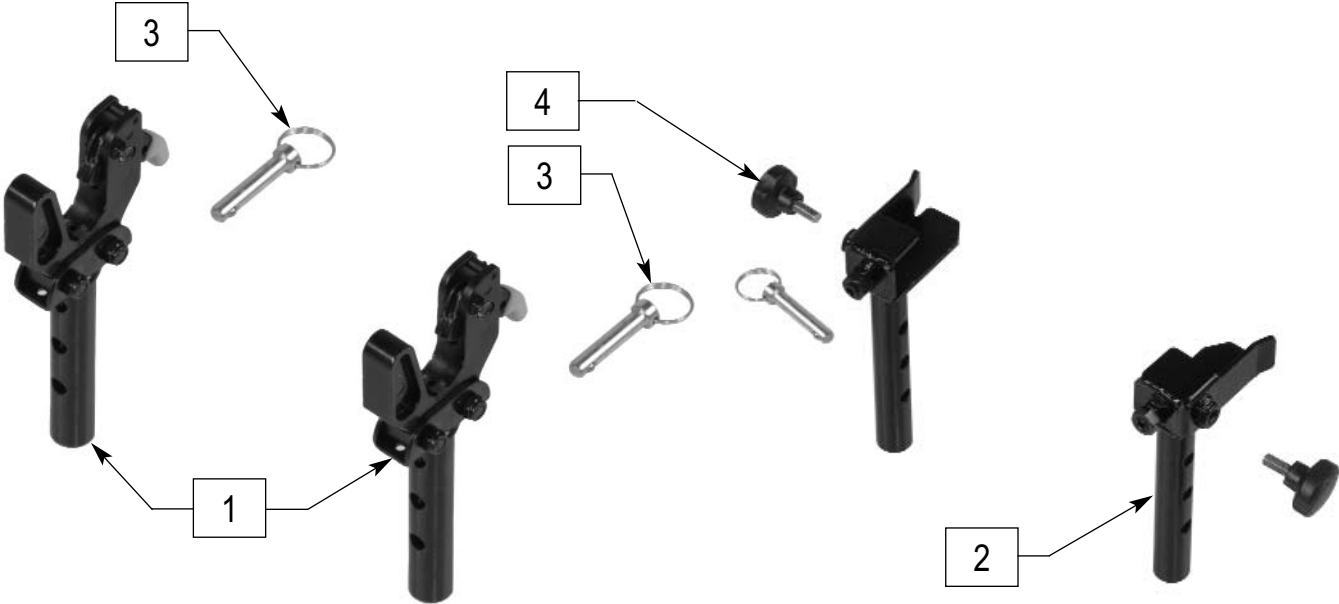
REAR SWING ARM



S11X12

ITEM	NUMBER	DESCRIPTION	QTY
1-6	787291	REAR CASTER ARM ASSEMBLY	1

SEAT POSTS AND HARDWARE



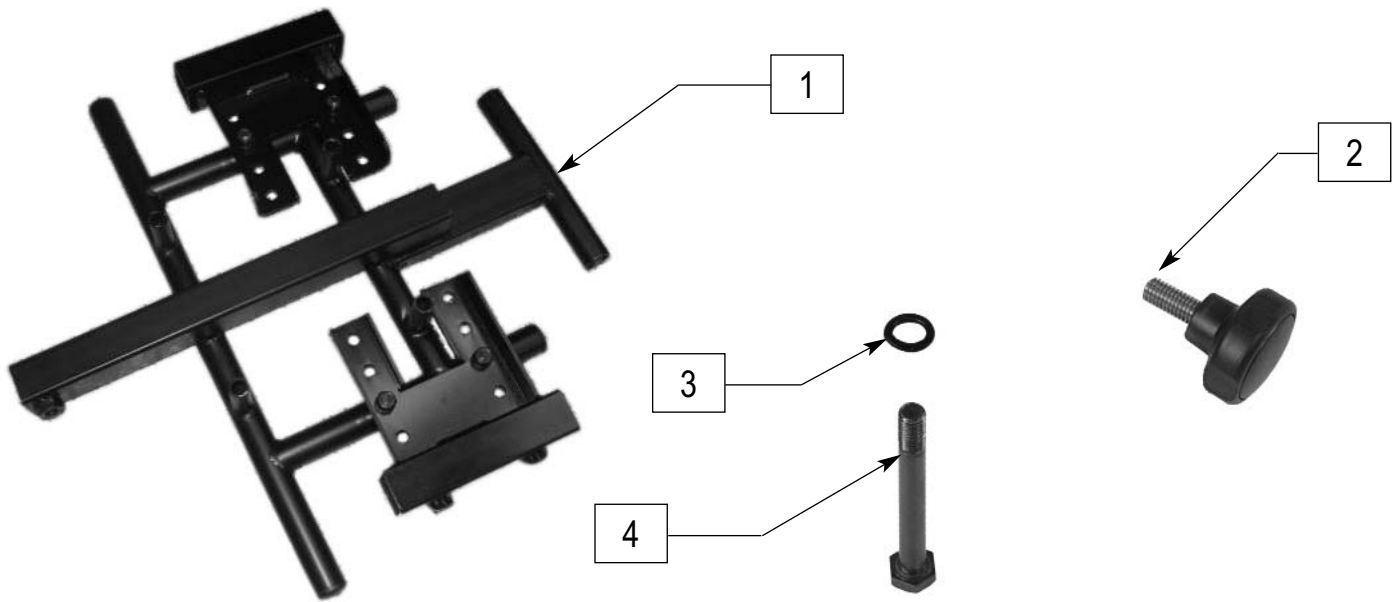
S11X13

S11X11

ITEM	NUMBER	DESCRIPTION	QTY
2-4	883178	FRONT SEAT POST (PAIR)	1
1,3	883179	REAR SEAT POST (PAIR)	1

ITEM	NUMBER	DESCRIPTION	QTY
3	330070	ADJUSTMENT PIN M8X32	3
4	349049	KNOB M8X1.25X18	2

SEAT FRAME

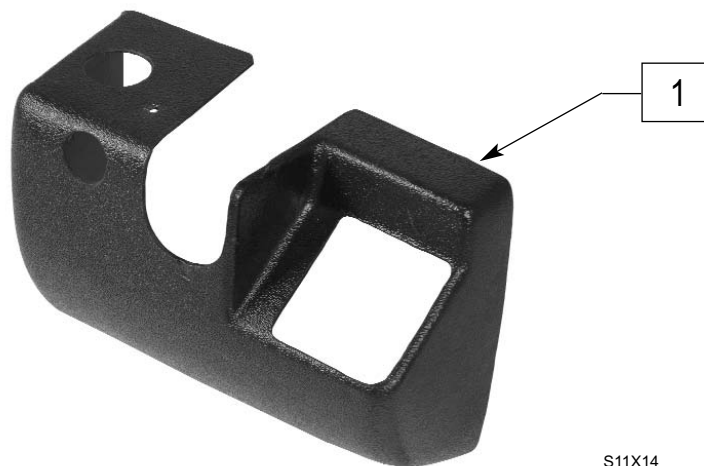


S11X009

ITEM	NUMBER	DESCRIPTION	QTY
1	660177	SEAT FRAME INTERFACE	1
2	349049	KNOB M8X1.25X18	4

ITEM	NUMBER	DESCRIPTION	QTY
3	250106	M8 LOCK WASHER	4
4	210080	M8X1.25X75 HB SEAT MOUNTING	4

CHARGER SHROUD



S11X14

ITEM	NUMBER	DESCRIPTION	QTY
1	901017	CNTRLR PLUG SHROUD CVR	1

BATTERY COVER



S11X14

ITEM	NUMBER	DESCRIPTION	QTY
1	883097	SHROUD MAIN BLUE	1
	883098	SHROUD MAIN RED	



FENDERS

S11X14

ITEM	NUMBER	DESCRIPTION	QTY
1-3	883210	SHROUD FENDER BLUE	1
	883211	SHROUD FENDER RED	

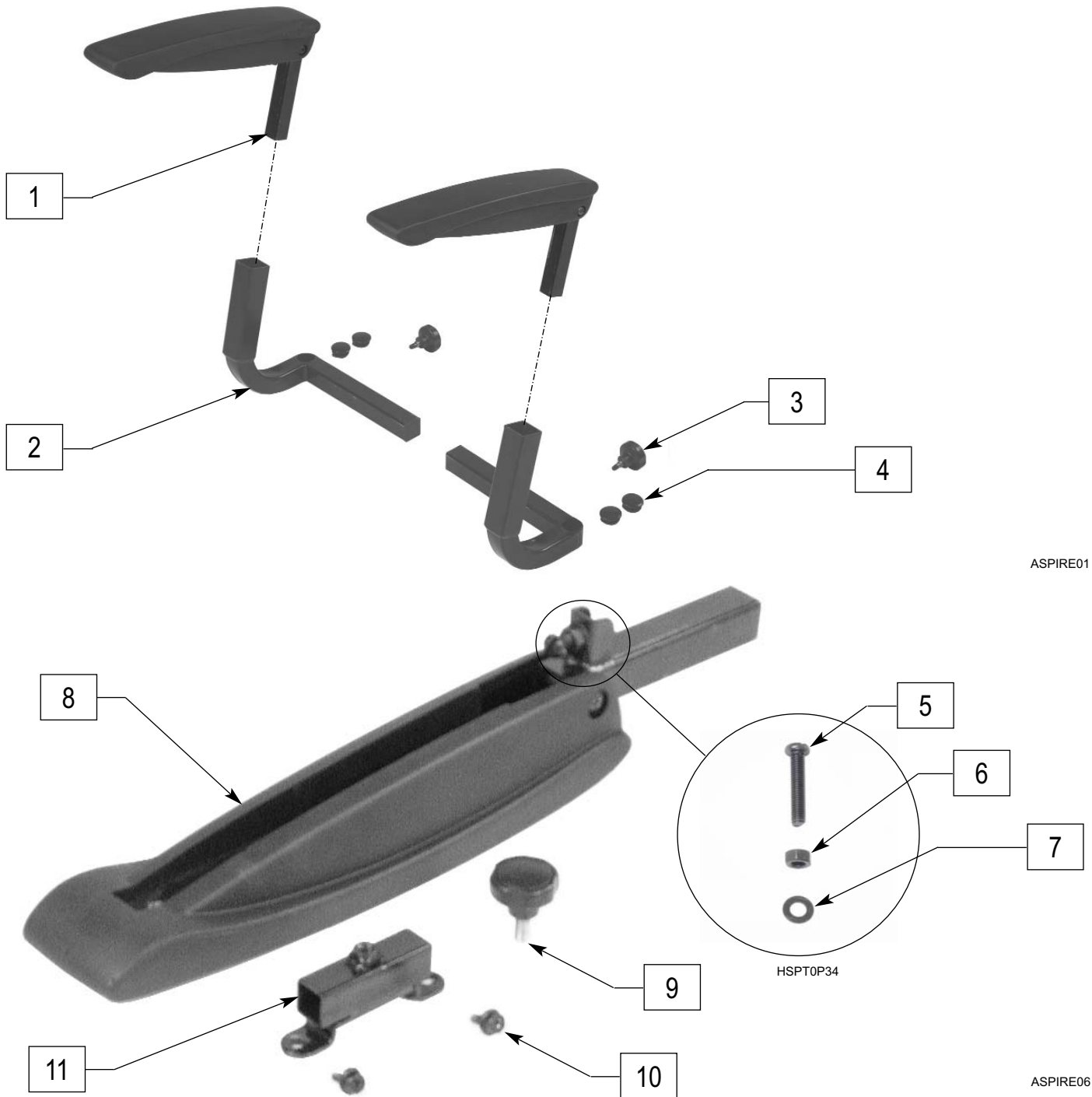
FLIP BACK ARMREST



ITEM	NUMBER	DESCRIPTION	QTY
*1	882280	ARMRST R W/PD CNTR/HIGHBACK	1
	882281	ARMRST L W/PAD CNTR/HIGHBACK	

*FOR COMPONENT PARTS SEE POWER PRODUCTS PARTS MANUAL 2003 PAGE 3.9 FLIPBACK ARMREST (FOR CONTOUR AND HIGH-BACK CONTOUR SEATS).

HEIGHT ADJUSTABLE FLIP BACK ARMREST



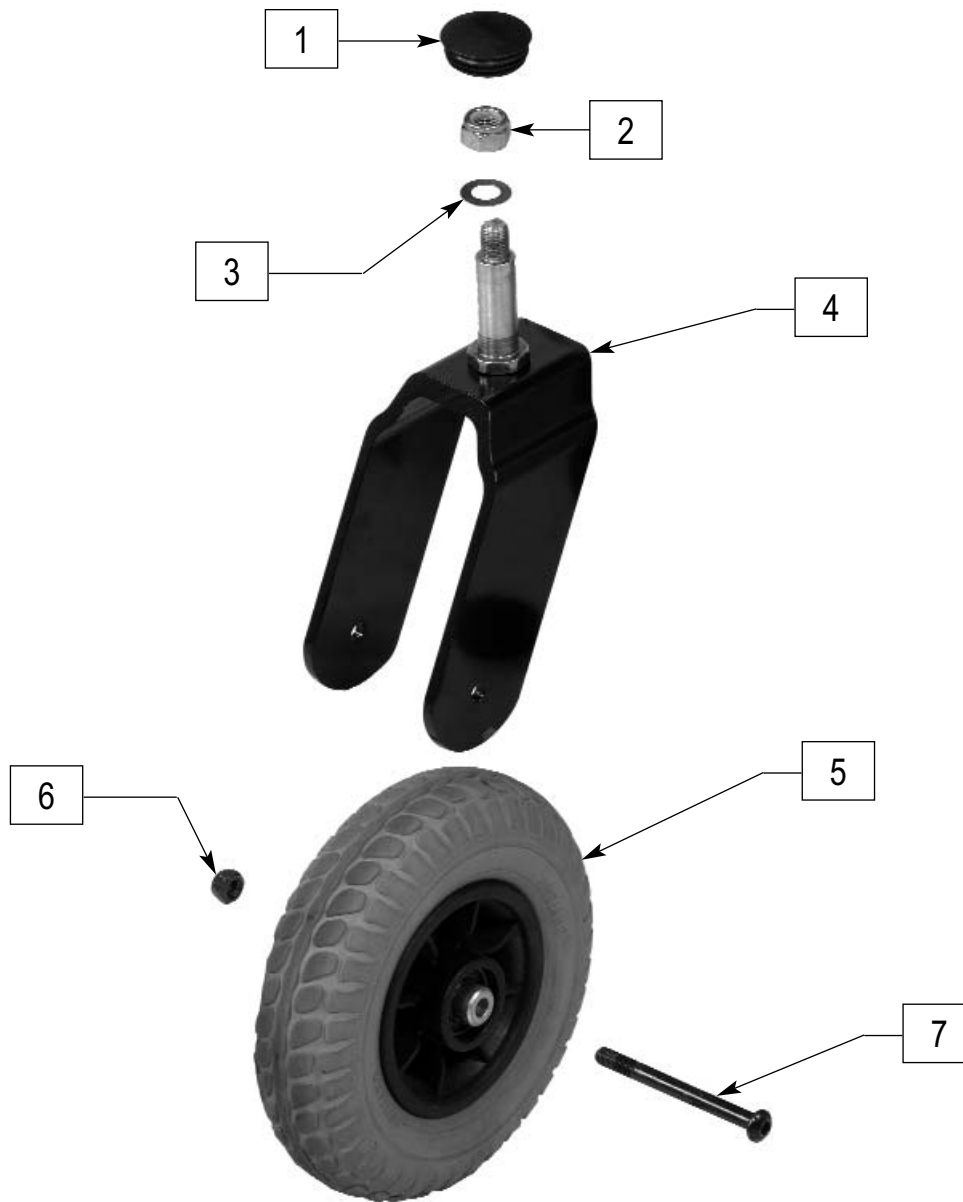
ASPIRE01

ASPIRE06

ITEM	NUMBER	DESCRIPTION	QTY
1	888231	ARMREST PAD W/ADJ POST	1
1-4	923264	FLIP BACK ARM HT ADJ W/KNOB R	1
	923265	FLIP BACK ARM HT ADJ W/KNOB L	
3	349077	KNOB M8 X 5THD X 16L	2
5-7	884376	ARMREST ANGLE ADJ HDWR	1

ITEM	NUMBER	DESCRIPTION	QTY
8	561181	ARMEST PAD W/PIVOT BOLT	1
9	349049	KNOB M8X1.25X18	1
10	281051	M6X12 HEX PHILLIP SCREW	2
9,11	885240	CONTROLLER MOUNT	1
1-10	888230	FLIP BACK ARM HT ADJ W/CT MT R	

CASTER AND FORK

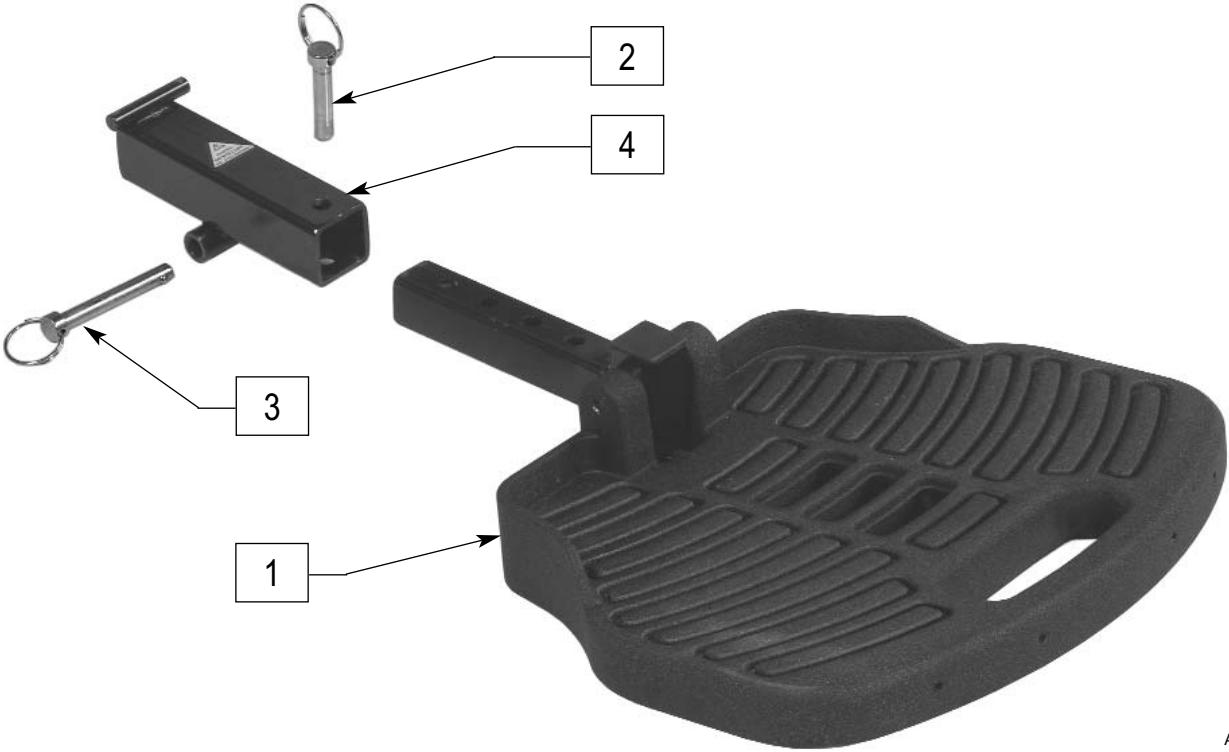


S11X24

ITEM	NUMBER	DESCRIPTION	QTY
1-7	787235	FORK & CASTER ASSEMBLY	1

ITEM	NUMBER	DESCRIPTION	QTY
5	400762	CASTER 7"	1
6,7	884378	CASTER HDWR	1

FOOTPLATE

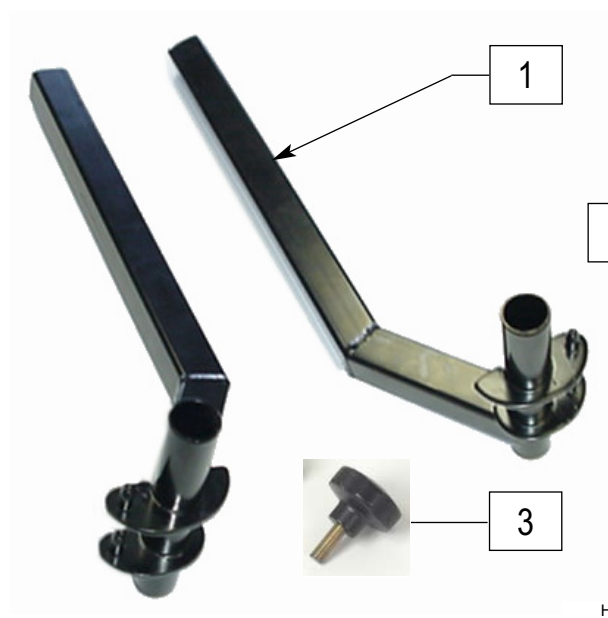


ASPIREX03

ITEM	NUMBER	DESCRIPTION	QTY
2	330070	ADJUSTMENT PIN M8 X 32	1
3	330071	ADJUSTMENT PIN M8 X 52.5	

ITEM	NUMBER	DESCRIPTION	QTY
1-4	900232	SOLID FOOTREST	1

FRONT FRAME HANGERS



HSPT0P70



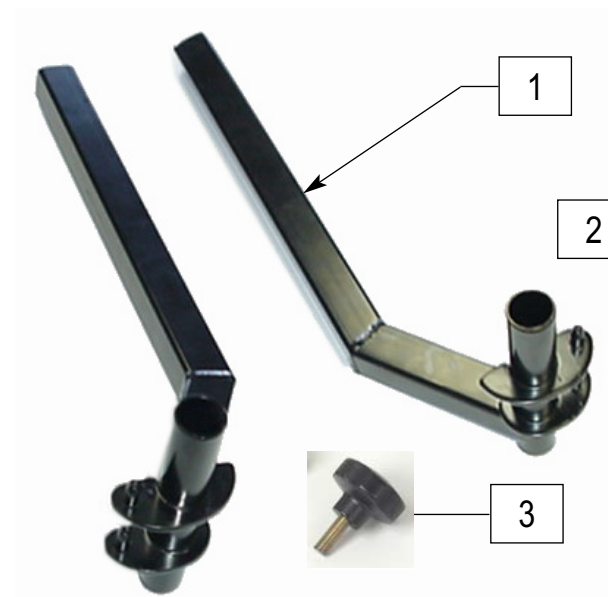
HSPT0P97

ITEM	NUMBER	DESCRIPTION	QTY
3	349049	KNOB M8 x 1.25 x 18	4
1,3	GA-ADPT*	LEGREST ADAPTER (PR)	1

ITEM	NUMBER	DESCRIPTION	QTY
2	GA-FRC	GUARDIAN ASPIRE FOOTREST (PR)	1
1-3	GA-FRCA	GUARDIAN ASPIRE FTRST W/ADPTR	

* NOTE: ASSEMBLY INCLUDES QTY 4 OF 349049

ELEVATING LEGREST



HSPT0P70



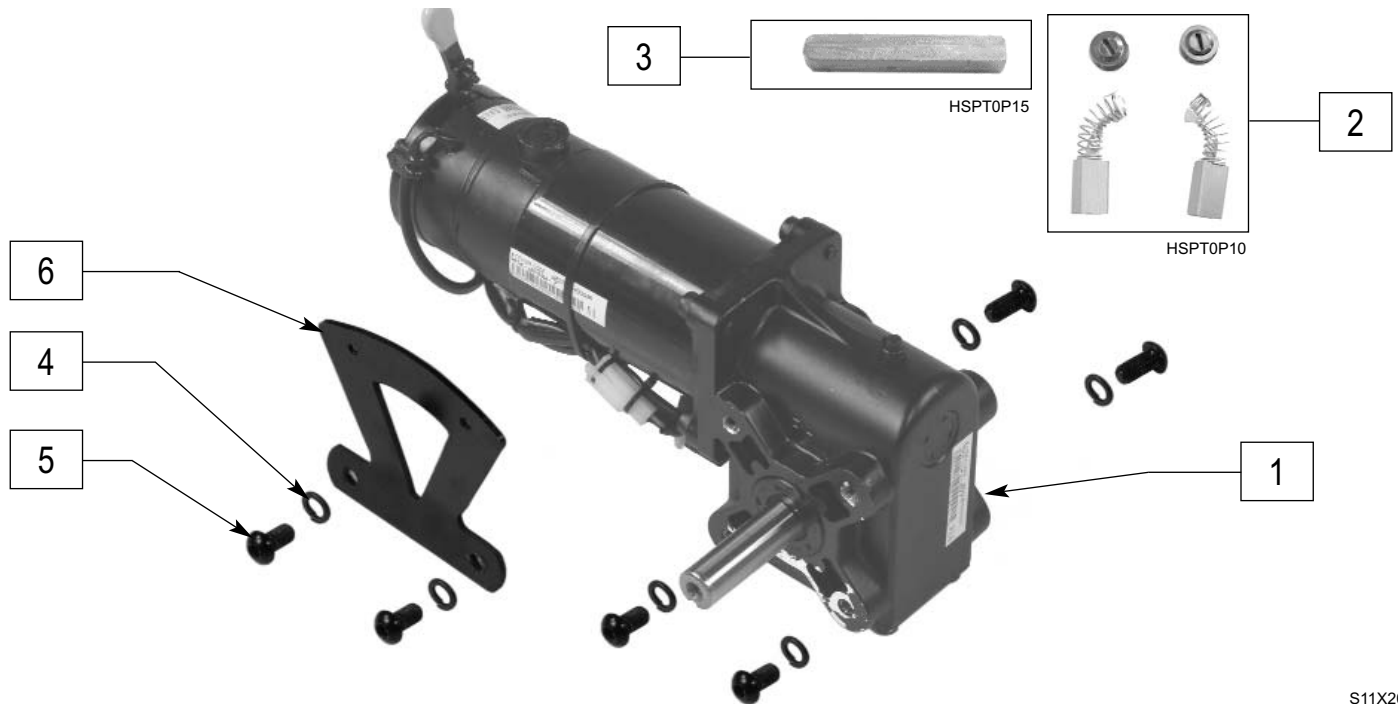
HSPT0P96

ITEM	NUMBER	DESCRIPTION	QTY
3	349049	KNOB M8 x 1.25 x 18	4
1,3	GA-ADPT*	GUARDIAN ASP FTRST & ELR ADPTR	1

ITEM	NUMBER	DESCRIPTION	QTY
2	GA-ELRC	GUARDIAN ASPIRE ELR (PR)	1
1-3	GA-ELRCA	GUARDIAN ASPIRE ELR W/ADAPTER	

* NOTE: ASSEMBLY INCLUDES QTY 4 OF 349049

MOTORS

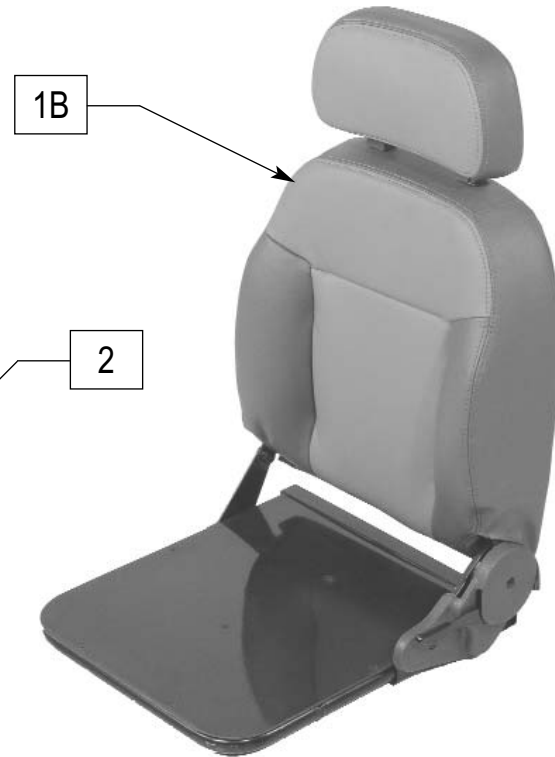


S11X20

ITEM	NUMBER	DESCRIPTION	QTY
2	139190	BRUSH MOTOR	2
3	341279	SHAFT KEY MOTOR	2
5	102259-001	BHCS M5 X .8 X 12 W/PL INORG	6

ITEM	NUMBER	DESCRIPTION	QTY
4-6	884365	FENDER MOUNTING KIT	2
1-3	499706	MOTOR/GEARBOX/BRAKE RIGHT S11	1
	499707	MOTOR/GEARBOX/BRAKE LEFT S11	

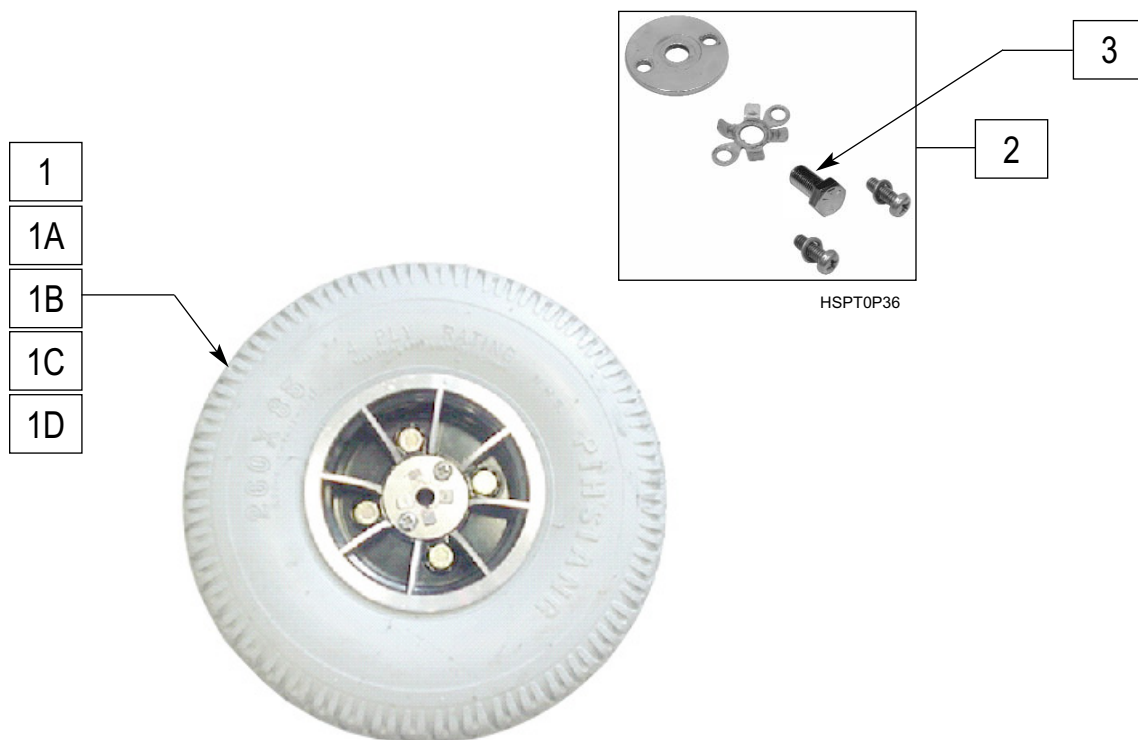
SEAT AND HEADREST



ITEM	NUMBER	DESCRIPTION	QTY
2	349048	KNOB M10 x 1.25 x 17	2
3	703501	HEADREST VINYL GREY	1
3A	703500	HEADREST CLOTH GREY	1
4	349076	SEAT LATCH SHROUD	1
1-4	702920	16" x 16" HG BK GRY VNYL W/EYELET	1
	702922	16" x 18" HG BK GRY VNYL W/EYELET	
	702924	18" x 16" HG BK GRY VNYL W/EYELET	
	702926	18" x 18" HG BK GRY VNYL W/EYELET	
	702928	20" x 20" HG BK GRY VNYL W/EYELET	

ITEM	NUMBER	DESCRIPTION	QTY
1A,2,3A,4	702921	16" x 16" HG BK GRY CLTH W/EYELET	1
	702927	18" x 18" HG BK GRY CLTH W/EYELET	
	702929	20" x 20" HG BK GRY CLTH W/EYELET	
1B,2,3,4	702932	16X16 HB W/RHB SEAT PN GRY/VNL	1
	702933	18X18 HB W/RHB SEAT PN GRY/VNL	
	702934	20X20 HB W/RHB SEAT PN GRY/VNL	

WHEELS

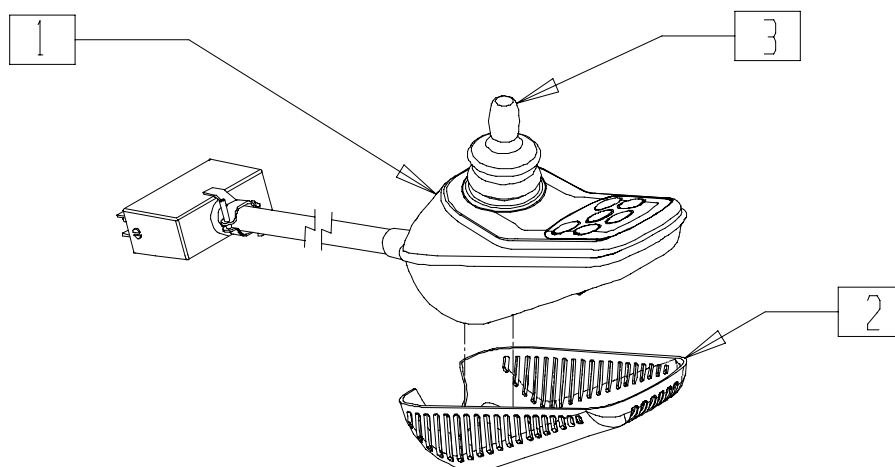


HSPT0P43

ITEM	NUMBER	DESCRIPTION	QTY
1	761890	10" ALUM W/PNEUMATIC TIRE	2
1A	761891	10" ALUM W/SOLID INSRT TIRE	2
1B	384714	TIRE FOAMED 260 x 85	2

ITEM	NUMBER	DESCRIPTION	QTY
1C	384704	TIRE 10 x 3 PNEUMATIC DRV WHL	2
1D	384732	INNER TUBE 10" x 3"	2
2,3	884380	WHEEL LOCK WASHER HARDWARE	2
3	221225	M8 X 20 LOCKING BOLT	2

VSI INTEGRAL JOYSTICK

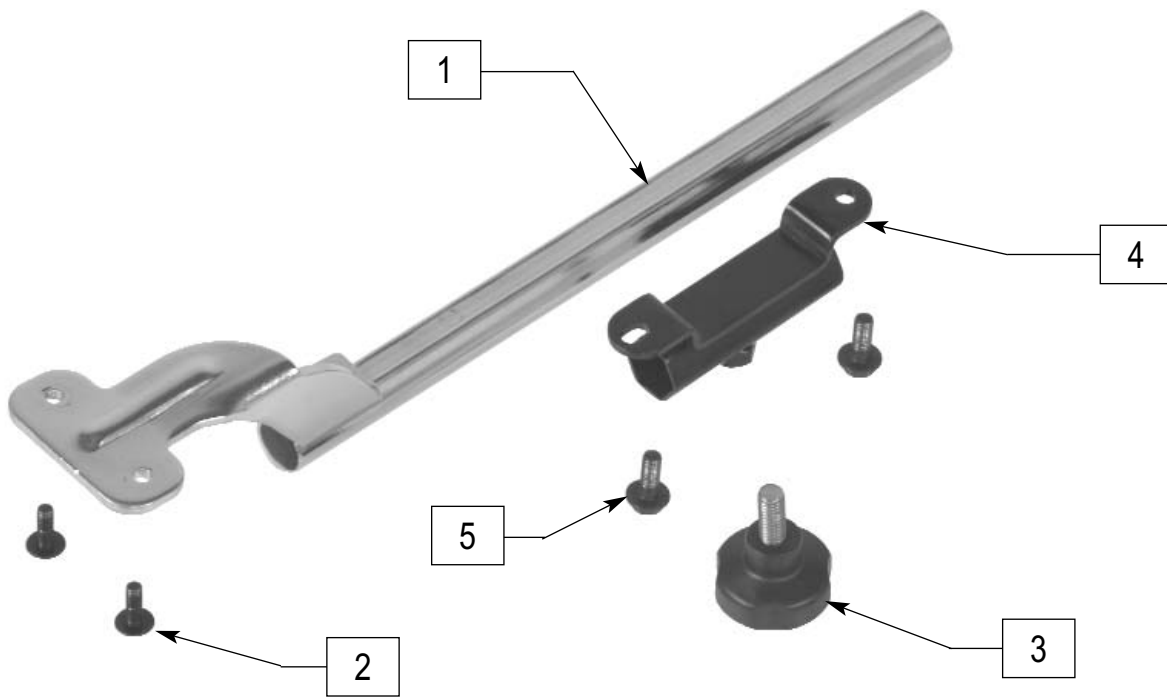


VSI 1

ITEM	NUMBER	DESCRIPTION	QTY
1	910160	VSI INT CONTROLLER FIX	1

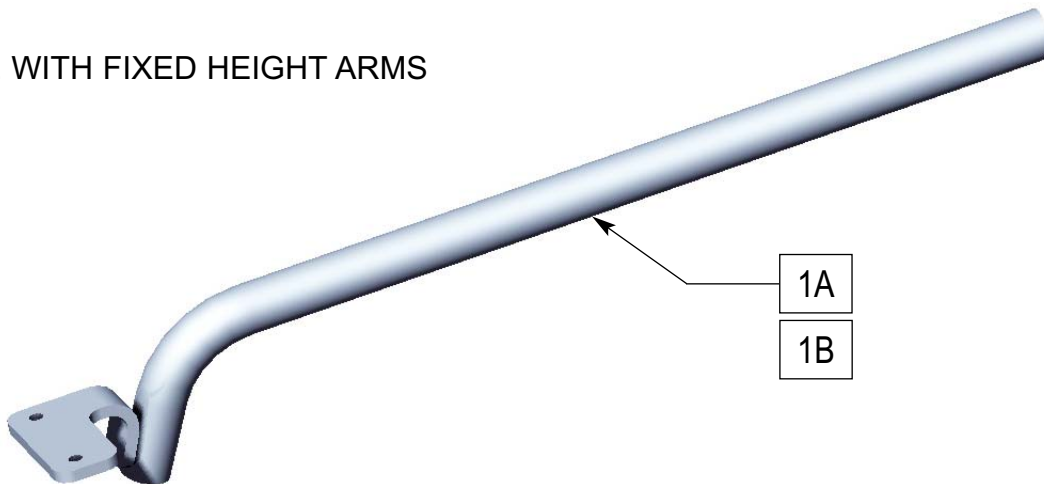
ITEM	NUMBER	DESCRIPTION	QTY
2	562109	VSI COVER SHEILD	1
3	138169	VSI JOYSTICK HANDLE	1

CONTROLLER MOUNT



S11X04

FOR USE WITH FIXED HEIGHT ARMS

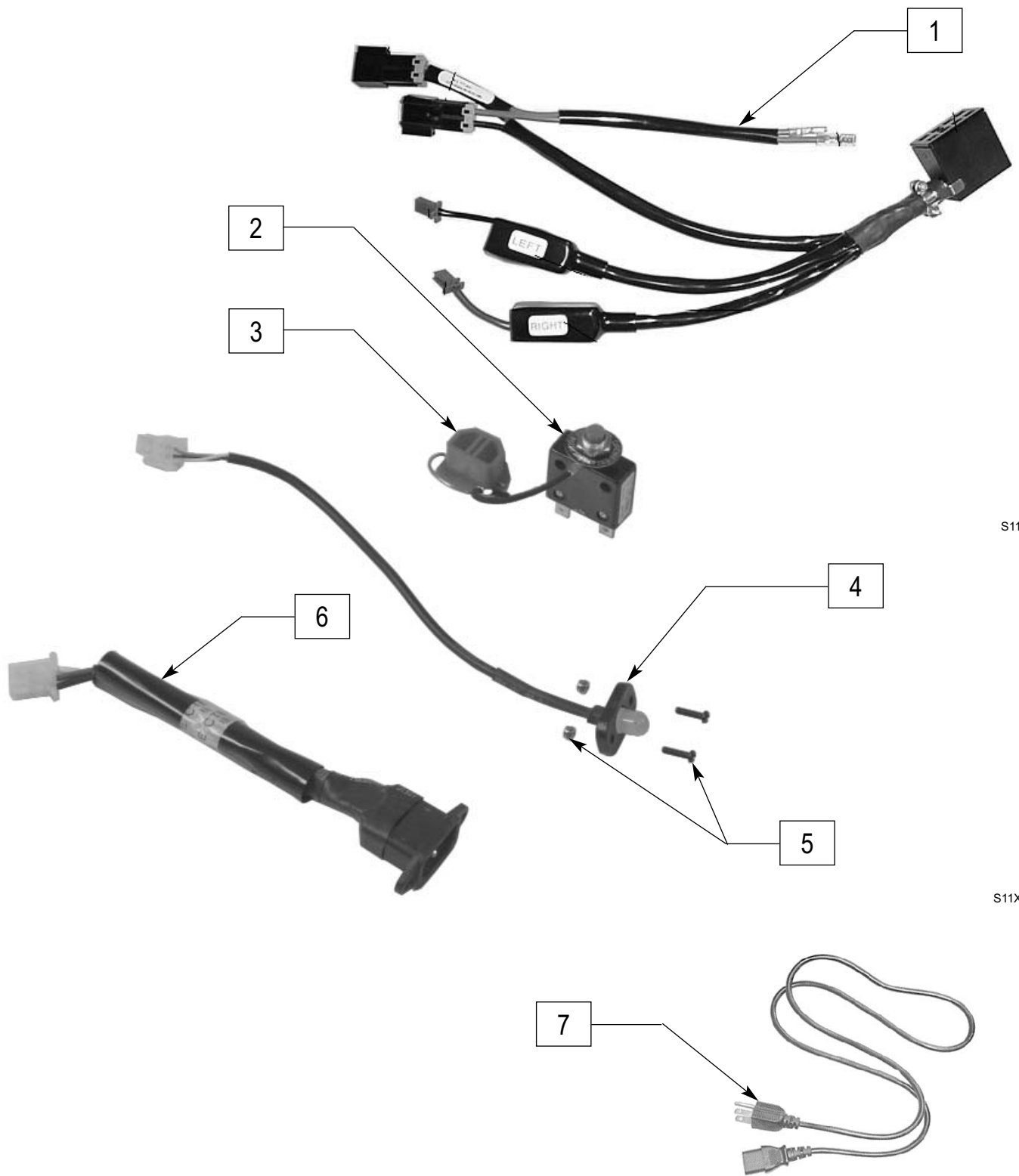


HSPT0P82

ITEM	NUMBER	DESCRIPTION	QTY
1	506029	CONTROLLER MOUNT HEX	1
1A	542131	VSI FIX MTNG WLDMNT RT	1
1B	542132	VSI FIX MNTNG WLDMNT LEFT	1

ITEM	NUMBER	DESCRIPTION	QTY
2	455010-QU	10-32 x 3/4 BH C/S BLK	2
3	349049	KNOB M8 x 1.25 x 18	1
5	281051	M6 x 12 HEX PHILLIP SCREW	2
3,4	506028	CONTROLLER MOUNT RCVR HEX	

WIRING



S11X10

S11X08

HSPTOP49

ITEM	NUMBER	DESCRIPTION	QTY
1	139387	MAIN HARNESS MINI	1
2	133024	CIRCUIT BREAKER 50A RED	1
3	138145	AC CHARGER PLUG CAP S11	1

ITEM	NUMBER	DESCRIPTION	QTY
4,5	139385	CHARGER LIGHT HARNESS	1
6	139386	CHARGER A/C OUTLET HARNESS	1
7	138039	POWER CORD 6FT	1

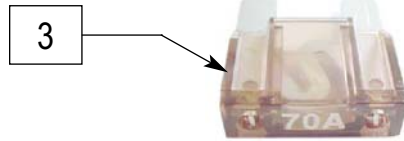
BATTERY ASSEMBLIES



HSPT0P35



HSPT0P55



HSPT0P06

ITEM	NUMBER	DESCRIPTION	QTY
1	BATU1	U1 BATTERY	2
2	139396	BATTERY HARNESS MINI	1

ITEM	NUMBER	DESCRIPTION	QTY
3	131055	FUSE BATTERY 70A	2

BATTERY CHARGER



S11X07



HSPT0P98

ITEM	NUMBER	DESCRIPTION	QTY
1	136054	CHARGER ON-BOARD 4A S11	1

ITEM	NUMBER	DESCRIPTION	QTY
2	BATC5	BATTERY CHRGR 4A OFF-BOARD	1

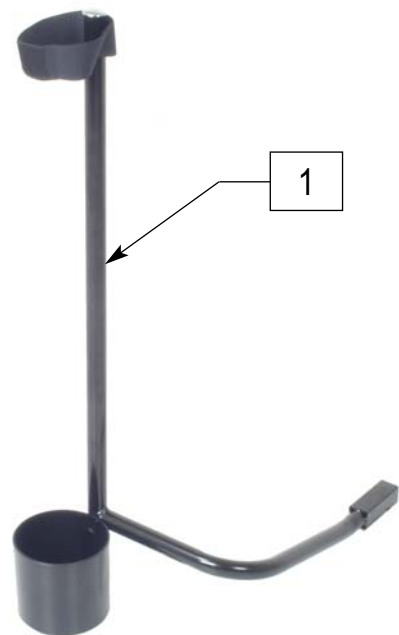
OXYGEN HOLDER



HSPT0P38

ITEM	NUMBER	DESCRIPTION	QTY
1	02H	02 HOLDER	1
2	349049	KNOB M8 x 1.25 x 18	2

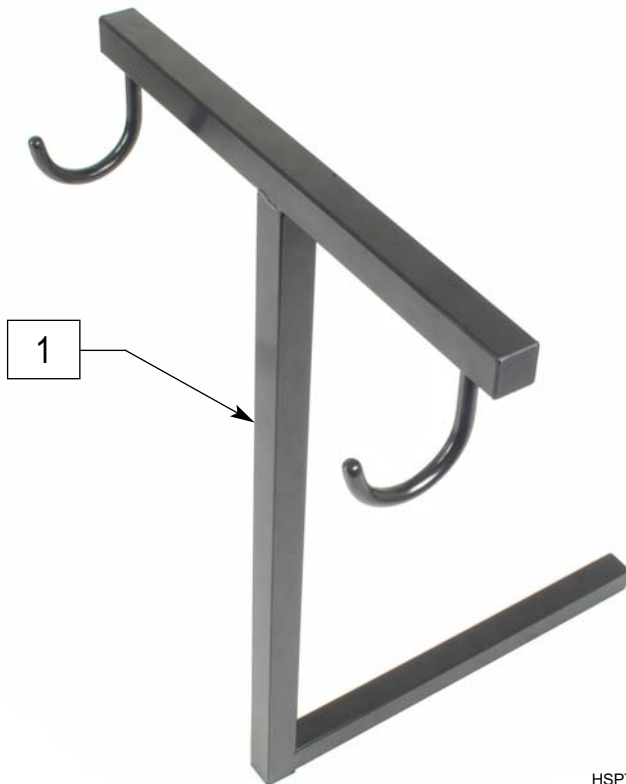
CRUTCH HOLDER



HSPT0P76

ITEM	NUMBER	DESCRIPTION	QTY
1	CCH	CANE/CRUTCH HOLDER	1

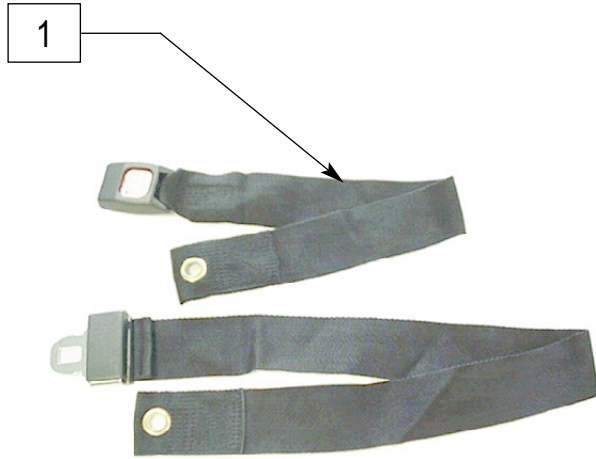
WALKER HOLDER



HSPT0P39

ITEM	NUMBER	DESCRIPTION	QTY
1	WH	WALKER HOLDER	1

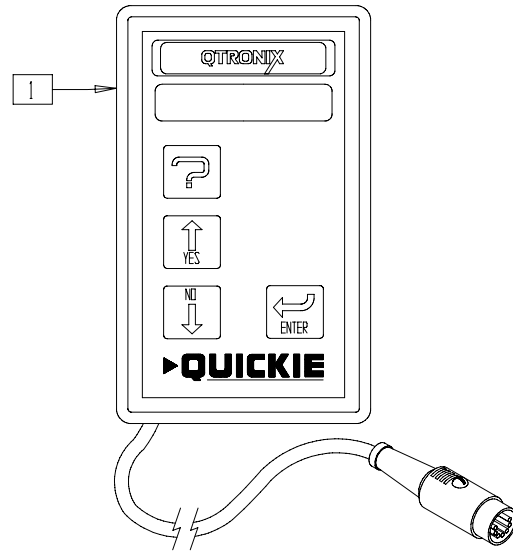
SEAT BELT



HSPT0P56

ITEM	NUMBER	DESCRIPTION	QTY
1	750281	SEAT BELT LONG #4	

QTRONIX PROGRAMMER



p9000x10

ITEM	NUMBER	DESCRIPTION	QTY
1	QTRX	PROGRAMMING PAD QTRONIX	1